



GSA prices effective April 2, 2018
(based on February 6, 2017, commercial price list)
Published April 2018

Workspaces

Resolve® System

General Services Administration Federal Supply Service Authorized Federal Supply Schedule Price List

Online access to contract ordering information, terms and conditions, up-to-date pricing, and the option to create an electronic delivery order is available through GSA Advantage!, a menu-driven database system. The Internet address for GSA Advantage! is www.gsaadvantage.gov.

Office Furniture
FSC Group 71, Part 1
Contract Number: GS-03F-036DA
Contract Period: December 21, 2015—December 20, 2020

Herman Miller, Inc.
855 East Main Avenue
Zeeland, Michigan 49464
(616) 654 3000 Phone
(616) 654 8278 Fax
www.HermanMiller.com/government

Business Size: Large

Contract Information

1a. Special Item Numbers (SIN)

SIN 71-1
Packaged Offices

SIN 711-1
Furniture Systems

SIN 711-2
Computer Furniture

SIN 711-3
Filing and Storage Cabinets

SIN 711-11
Tables and Accessories

SIN 711-16
Upholstered Seating

SIN 711-18
Multi-Purpose Seating

SIN 711-91
Project Management

Services under this SIN may be used only in conjunction with the purchase of new furniture. Please contact your local Herman Miller representative to discuss the available labor categories (listed below). The hourly rates listed are "Not To Exceed" or "NTE" values.

Furniture Project Manager: \$64.75 per hour
Furniture Project Coordinator: \$49.00 per hour
Build-Out Project Manager: \$80.00 per hour

SIN 711-93
Reconfiguration and Relocation Services

Reconfiguration and Relocation Services will be provided by Herman Miller, Inc., or its participating dealer based on a fee not to exceed \$55 per hour, which applies to services totaling \$150,000 (per SIN) and below only. Services above \$150,000 shall be negotiated on a case-by-case basis. This SIN may only be used with the purchase of new product under SIN 711-1.

See * Additional Notes for Installation & Reconfiguration and Relocation Services.

SIN 711-94
Design/Layout

Design service will be provided by Herman Miller, Inc., or its participating dealer based on a fee not to exceed \$65 per hour.

SIN 711-95

Installation Services

Installation Services will be provided by Herman Miller, Inc., or its participating dealer based on a fee not to exceed \$55 per hour (\$82.50 per hour for after-hours Installation), which applies to services totaling \$150,000 (per SIN) and below only. Services above \$150,000 shall be negotiated on a case-by-case basis.

See * Additional Notes for Installation & Reconfiguration and Relocation Services.

* Additional Notes for Installation & Reconfiguration and Relocation Services:

FOB Destination (Drop Ship): Price includes product delivery to the site, brought to the tailgate of the truck. The purchaser is responsible for unloading.

Prices effective up to the maximum order by SIN only. Above the MO, pricing shall be negotiated on a case-by-case basis between the client and local dealer.

Standard Services are Subject to the Following Conditions:

Installation will be performed during normal weekday working hours.

Adequate facilities for delivery, unloading, moving and staging/ storing the product during the installation process shall be provided.

Service work will not be hindered by other trades.

Electric, heat, and adequate elevator service will be furnished without charge.

The immediate installation area shall be complete and free of debris including the carpet/flooring before installation commences.

Any work requiring a licensed electrician is the responsibility of the buyer.

Additional Charges May Apply For:

Major Metro Markets and any non-ground floor installation.

Major Metro Markets include large population centers and urban environments.

Installation in a clinical/medical environment.

Special restrictions or limits established by local laws, ordinances or the directions of the buyer, including but not limited to restrictions on transportations of materials, street access to the job site and/or dock facilities.

Installations outside of a 50 mile radius of the servicing dealer.

Local Prevailing Wage and/or Union Labor Rates.

Any additional charges shall be quoted by the dealer and approved by the buyer prior to performance of the work.

SIN 711-96

Leasing

Contact Herman Miller participating government dealer for current leasing information.

SIN 711-99

New Product Introductions

Contract Information

continued

1b. Lowest Priced Model

SIN 711-1:	G9999.B	\$7
SIN 711-2:	6-5-D	\$35
SIN 711-3:	9M10018	\$14
SIN 711-11:	DT9A.	\$36
SIN 711-16:	OA401	\$41
SIN 711-18:	AS90598	\$46
SIN 711-99:	R1366	\$27

1c. Not applicable

2. Maximum Order

SIN 711-1, SIN 711-2
\$500,000 net product value

SIN 711-3, SIN 711-11
\$300,000 net product value

SIN 711-16, SIN 711-18
\$200,000 net product value

SIN 711-93
\$150,000

SIN 711-94
\$150,000

SIN 711-95
\$150,000

SIN 711-96
\$500,000 net product value

SIN 711-99
\$50,000 net product value

3. Minimum Order

\$100 net

4. Geographic Coverage

Continental U.S.

Orders for Alaska, Hawaii, and Puerto Rico will be shipped F.O.B. inland carrier point of exportation.

5. Point of Production

Zeeland, Ottawa County, Michigan
Spring Lake, Ottawa County, Michigan

6. Pricing

Prices shown are list. Discounts include Industrial Funding Fee.

SIN 711-1

Product: Selected Action Office 1, Action Office 2, C-Style Overhead Storage, Ethospace System, Quadrant Pedestals, Supplemental Products, Tu Pedestals and Pedastools, and approved Herman Miller Options Products.

Standard Lead Time	Single Order Net Purchase	Discount From list
	\$100 - 250,000	73.8%
	\$250,001 - 500,000	76.8%

SIN 711-1

Product: Selected Renew™ Tables, Renew Link and approved Herman Miller Options Products

Standard Lead Time	Single Order Net Purchase	Discount From List
	\$100 - 500,000	72.8%

SIN 711-1

Product: Selected Motia™ Tables, and approved Herman Miller Options Products

Standard Lead Time	Single Order Net Purchase	Discount From List
	\$100 - 500,000	73.8%

SIN 711-1

Product: Tu Wood Pedestals and approved Herman Miller Options Products

Standard Lead Time	Single Order Net Purchase	Discount From List
	\$100 - 300,000	74.3%

SIN 711-1

Product: Selected Canvas Office Landscape and approved Herman Miller Options Products

Standard Lead Time	Single Order Net Purchase	Discount From List
	\$100 - 500,000	74.8%

SIN 711-1

Product: Selected Layout Studio® and approved Herman Miller Options Products

Standard Lead Time	Single Order Net Purchase	Discount From List
	\$100 - 500,000	60.7%

SIN 711-1

Product: Selected Meridian Pedestals, Meridian Pedastools, and approved Herman Miller Options Products

Standard Lead Time	Single Order Net Purchase	Discount From List
	\$100 - 500,000	64.2%

Contract Information

continued

SIN 711-1

Product: Selected Thrive Portfolio and approved Herman Miller Options Products

Standard Lead Time	Single Order Net Purchase	Discount From List
	\$100 - 250,000	62%
	\$250,001 - 500,000	66.4%

SIN 711-2

Product: Passage Desking System and approved Herman Miller Options Products

Standard Lead Time	Single Order Net Purchase	Discount From List
	\$100 - 500,000	56.7%

SIN 711-2

Product: 5000 Series Furniture and approved Herman Miller Options Products

Standard Lead Time	Single Order Net Purchase	Discount From List
	\$100 - 500,000	58.7%

SIN 711-3

Product: Meridian Laterals, Verticals, Towers, and Storage products and approved Herman Miller Options Products

Standard Lead Time	Single Order Net Purchase	Discount From List Laterals	Verticals	Towers & Storage
	\$100 - 300,000	67.3%	66.3%	62.7%

SIN 711-3

Product: Tu Lateral Files, Tu Storage, Tu Towers, Tu Wood Cases, Tu Wood Cubbies, Tu Wood Credenzas, Tu Wood Towers, and approved Herman Miller Options Products

Standard Lead Time	Single Order Net Purchase	Discount From List
	\$100 - 300,000	74.3%

SIN 711-11

Product: Selected Tables and Accessories and approved Herman Miller Options Products

Standard Lead Time	Single Order Net Purchase	Discount From List
Avive® Tables	\$100 - 250,000	72.8%
	\$250,001 - 500,000	74.8%
Herman Miller Eames® Tables	\$100 - 250,000	73.6%
	\$250,001 - 300,000	77.6%
Everywhere™ Tables	\$100 - 300,000	72.8%

SIN 711-16

Product: Swoop upholstered seating products and approved Herman Miller Options Products

Standard Lead Time	Single Order Net Purchase	Discount From List
Swoop™	\$100 - 200,000	60.7%

SIN 711-18

Product: Selected Seating and approved Herman Miller Options Products

Standard Lead Time	Single Order Net Purchase	Discount From List
Aeron® (Classic and New)	\$100 - 200,000	64.5%
Aside®	\$100 - 200,000	64.2%
Caper®	\$100 - 200,000	61.5%
Celle®	\$100 - 200,000	59.7%
Embody®	\$100 - 200,000	59.7%
Equa 2®	\$100 - 200,000	65.8%
Ergon 3®	\$100 - 200,000	68.8%
Keyn	\$100 - 200,000	57.7%
Mirra® 2	\$100 - 200,000	61.7%
Setu®	\$100 - 200,000	59.7%
Sayl®	\$100 - 200,000	62.2%
Verus™	\$100 - 200,000	63.7%

SIN 711-99

Product: Selected Exclave™, Locale®, Public Office Landscape®, Resolve® System, and approved Herman Miller Options Products

Standard Lead Time	Single Order Net Purchase	Discount From List
Exclave	\$100 - 50,000	61.7%
Locale	\$100 - 50,000	63.7%
Public Office Landscape	\$100 - 50,000	61.7%
Resolve System	\$100 - 50,000	69.8%
Intent Solution	\$100 - 50,000	58.7%

7. Quantity Discounts

Reference item #6.

8. Payment Term

Net 30 days

9. Government Commercial Credit Card

- Government commercial credit cards are accepted below the micropurchase threshold.
- Government commercial credit cards are accepted above the micropurchase threshold.

10. Foreign Items

None

11. Time of Delivery

- 90 day ARO
- Expedited delivery: Items listed in the 10-Day section of the catalogs are available for expedited delivery.
- Overnight/2-day delivery: Select items may be available for overnight or 2-day delivery. Contact Herman Miller or a participating dealer for availability and rates.
- Urgent requirements: Agencies may contact contractor or participating dealer to request faster delivery.

Contract Information

continued

12. F.O.B.

F.O.B. destination except Alaska, Hawaii, and Puerto Rico, which will be shipped F.O.B. inland carrier point of exportation.

13. Ordering Address

- a. Herman Miller, Inc.,
Government Customer Care 0161
855 East Main Avenue
Zeeland MI 49464.
- b. For supplies and services, the ordering procedures information on Blanket Purchase Agreements (BPA's) and a sample BPA can be found at the GSA/FSS Schedule homepage (www.fss.gsa.gov/schedules).

14. Payment Address.

Herman Miller, Inc.
22764 Network Place
Chicago, IL 60673-1227

15. Warranty

Herman Miller, Inc., commercial warranty applies.

16. Export Packing Charge

Prices supplied on request.

17. Terms and Conditions of Government Purchase Card Acceptance

(any thresholds above the micropurchase level)
None.

18. Rental Maintenance and Repair Terms

Not applicable

19. Terms and Conditions of Installation

Installation Services will be provided by Herman Miller, Inc., or its participating dealer based on a fee not to exceed \$55 per hour (\$82.50 per hour for after-hours Installation), which applies to services totaling \$150,000 (per SIN) and below only. Services above \$150,000 shall be negotiated on a case-by-case basis.

Additional Notes for Installation & Reconfiguration and Relocation Services:

FOB Destination (Drop Ship): Price includes product delivery to the site, brought to the tailgate of the truck. The purchaser is responsible for unloading.

Prices effective up to the maximum order by SIN only. Above the MO, pricing shall be negotiated on a case-by-case basis between the client and local dealer.

Standard Services are Subject to the Following Conditions:

Installation will be performed during normal weekday working hours.

Adequate facilities for delivery, unloading, moving and staging/storing the product during the installation process shall be provided.

Service work will not be hindered by other trades.

Electric, heat, and adequate elevator service will be furnished without charge.

The immediate installation area shall be complete and free of debris including the carpet/flooring before installation commences.

Any work requiring a licensed electrician is the responsibility of the buyer.

Additional Charges May Apply For:

Major Metro Markets and any non-ground floor installation.

Major Metro Markets include large population centers and urban environments.

Installation in a clinical/medical environment.

Special restrictions or limits established by local laws, ordinances or the directions of the buyer, including but not limited to restrictions on transportations of materials, street access to the job site and/or dock facilities.

Installations outside of a 50 mile radius of the servicing dealer.

Local Prevailing Wage and/or Union Labor Rates.

Any additional charges shall be quoted by the dealer and approved by the buyer prior to performance of the work.

20. Terms and Conditions of Repair Parts

Not applicable

21. Service and Distribution Points

For service and distribution points nearest you, call (800) 851 1196.

22. Participating Dealers

Access Herman Miller web site for current list of participating dealers: www.HermanMiller.com/government.

23. Preventive Maintenance

Not applicable

24a. Special Attributes.

2018

For the 11th consecutive year, Herman Miller received a perfect score on the Corporate Equality Index and we were designated as Best Place to Work for LGBT equality. This report evaluates U.S. companies in terms of diversity, particularly their LGBT-related policies and practices.

Contract Information

continued

2017

Herman Miller was named the 2017 “Corporation of the Year” in the consumer products sector by the Michigan Minority Supplier Development Council (MMSDC).

Herman Miller has received a 2017 SEAL (Sustainability, Environmental Achievement and Leadership) Business Sustainability Award.

Herman Miller has earned the 4 Star Diversity Visionary Award. This award celebrates the diversity, equality, and inclusion work of Herman Miller. The award is presented at the annual Diversity Equity Inclusion Summit, held by the Grand Rapids Area Chamber of Commerce.

Herman Miller named one of the Best and Brightest in Wellness for the fifth year in a row.

Working Mother magazine has recognized Herman Miller as one of the 2017 Working Mother 100 Best Companies.

Herman Miller earned our tenth consecutive perfect score in Human Rights Campaign (HRC) Foundation’s 2017 Corporate Equality Index.

As one of the top-scoring companies in our industry for the thirteenth consecutive year, Herman Miller has qualified for inclusion in RobecoSAM’s 2017 Sustainability Yearbook and received the Bronze Class distinction for our excellent economic, environmental, and social sustainability performance.

Herman Miller has once again earned the WorldatWork Seal of Distinction, a unique standard of excellence in work-life effectiveness that shows we provide a distinct, mutually beneficial workplace experience.

2016

Herman Miller was recognized as the Business of the Year at the Annual Meeting of the West Michigan Environmental Action Council (WMEAC). This award goes to the business with the greatest depth and breadth of support, unwavering dedication to environmental action in West Michigan, and a strong corporate commitment to environmental advocacy.

The 101 Best and Brightest Sustainable Companies once again (fifth consecutive year) recognized Herman Miller as an organization in Michigan (and for the first time, in the nation) that exhibits leadership and innovation in its approach to sustainability.

Herman Miller has been recognized by the Michigan Minority Supplier Development Council (MMSDC), as a “Corporation of the Year”, and we also received a “2016 Excellence in Supplier Diversity Award” from the Great Lakes Women’s Business Council. Additionally, we are the only West Michigan company this year to receive an “Ambassadors Championing Excellence” Award from the MMSDC.

Plex Lounge Furniture from Herman Miller receives #MetropolisLikes award at NeoCon 2016.

Plex Lounge Furniture from Herman Miller receives Interior Design HiP Award for Workplace Seating/Lounge at NeoCon 2016.

Spot Stools from Herman Miller Collection receive Interior Design HiP Award for Hospitality Seating at NeoCon 2016.

Herman Miller has been named a 2020 Women on Boards Winning Company. Companies selected for this recognition are considered champions of board diversity as 20 percent or more of their board seats are occupied by women.

Herman Miller selected for inclusion in the 2016 RobecoSAM Sustainability Yearbook for twelfth consecutive year.

Herman Miller again earns the WorldatWork Work-Life 2016 Seal of Distinction. This award identifies organizations that focus on programs that promote work-life balance and overall well-being.

2015

Herman Miller earns ninth consecutive perfect score in Human Rights Campaign (HRC) Foundation’s 2016 Corporate Equality Index and we were designated as Best Place to Work for LGBT equality.

This is the fourth consecutive year that Herman Miller was named one of Michigan’s Best and Brightest Sustainable Companies.

Herman Miller has received the Best and Brightest in Wellness Award for the third year in a row. This program is an innovative initiative that recognizes and celebrates quality and excellence in health awareness.

Herman Miller received the Forest Stewardship Council (FSC) Leadership Award for longstanding commitment to manufacturing with wood sourced from responsibly managed forests, which reduces environmental impacts by protecting against deforestation and forest degradation.

Herman Miller accepted its second Excellence in Reusable Packaging Award from the Reusable Packaging Association.

Herman Miller has once again been recognized for its commitment to best-in-class economic, environmental, and societal sustainability, earning a spot on the prestigious Dow Jones Sustainability Index (DJSI) for the twelfth consecutive year. We are the only contract furniture company recognized globally for its corporate sustainability leadership.

Herman Miller selected for inclusion in the 2015 RobecoSAM Sustainability Yearbook; awarded Bronze Class distinction for excellent sustainability performance for the second consecutive year.

Contract Information

continued

Herman Miller received a Michigan Business Pollution Prevention (MBP₃) Certificate – a recognition given by the Michigan Department of Environmental Quality (MDEQ) to organizations committed to environmental stewardship, conservation, and sustainable operations. This basic partnership with the MDEQ, which we've maintained since 1998, makes us eligible for our Clean Corporate Citizen (CCC) status that began in 2004 and our Environmental Leader status, which we received for the first time this past year.

MedAssets named Herman Miller Healthcare as Platinum Suppliers. MedAssets, a large group purchasing organization, helps providers enhance operational and financial performance so they can sustainably serve the needs of their community.

Herman Miller honored with five of 20 spots for the Michigan Environmental Leaders Award by the Michigan Department of Environmental Quality for our outstanding, voluntary environmental stewardship.

Renew Sit-to-Stand tables recognized on Record Products 2014 list by Architectural Record.

Herman Miller was again awarded a perfect score in the 2015 Corporate Equality Index. This is the eighth consecutive year we received a perfect score.

2014

Herman Miller has received the Best and Brightest in Wellness Award for the second year in a row. This program is an innovative initiative that recognizes and celebrates quality and excellence in health awareness.

Herman Miller's Locale wins International Design Excellence Awards (IDEA) Gold in the Office & Productivity category.

Herman Miller achieves eleventh consecutive listing on Dow Jones Sustainability World Index, an international stock portfolio that evaluates the annual performance of the world's largest 2500 companies using economic, environmental, and social criteria, known as the "triple bottom line" of sustainability.

2013

Herman Miller achieves tenth consecutive listing on Dow Jones Sustainability World Index.

Herman Miller has received the Best and Brightest in Wellness Award. This program is an innovative initiative that recognizes and celebrates quality and excellence in health awareness.

Herman Miller Earns Perfect Score on the Corporate Equality Index. We are one of only 303 major U.S. businesses to receive a perfect score in 2013, an achievement we have now obtained seven years in a row.

Herman Miller is listed in Forbes Magazine inaugural "Platinum List" of America's 400 best managed, large companies.

For the second consecutive year, Herman Miller is honored as one of West Michigan's "101 Best and Brightest Sustainable Companies".

2012

Herman Miller accepted its first Excellence in Reusable Packaging Award from the Reusable Packaging Association.

Herman Miller is named "Corporation of the Year" in the commercial products sector by the Michigan Minority Supplier Development Council.

In July 2012 Herman Miller was inducted into the Made in the USA Hall of Fame. Herman Miller is one of only 20 companies across the nation to receive this distinction.

Herman Miller achieves ninth consecutive listing on Dow Jones Sustainability World Index.

Herman Miller is honored as one of West Michigan's 101 Best and Brightest Sustainable Companies.

The Sustainable Asset Management (SAM) group selected Herman Miller for inclusion in "The Sustainability Yearbook 2012" and has awarded Herman Miller both the "SAM Sector Leader" and "SAM Sector Mover" distinctions.

Herman Miller was named one of 16 Section Leaders on Climate Counts 2011-2012 Scorecard Report, making us the industry leader for Home and office Furnishings.

SGS International Certification Services, Inc., recognizes Herman Miller's manufacturing sites, Midwest Distribution Center, and Design Yard for initial certification to the OHSAS 18001 standard as well as re-certification to ISO 14001.

2011

Trust Across America, a company dedicated to unraveling the complexities of trustworthy business behavior, listed Herman Miller as one of their "Top Ten Most Trustworthy Companies in America 2011."

The U.S. Environmental Protection Agency (EPA) selected Herman Miller, as a WasteWise Gold Achievement—Climate Change winner.

Herman Miller achieves eighth consecutive listing on Dow Jones Sustainability World Index, an international stock portfolio that evaluates the annual performance of the world's largest 2500 companies using economic, environmental, and social criteria, known as the "triple bottom line" of sustainability.

The Michigan Minority Supplier Development Council (MMSDC) named Herman Miller as its "Corporation of the Year" in the commercial products sector. This was the fifth time Herman Miller has received this award since 2005.

Contract Information

continued

Herman Miller accepted its third Neighborhood Environmental Partners (NEP) award from the Michigan Department of Natural Resources and Environment.

Herman Miller receives the Reader's Choice award from TreeHugger's Best of Green: Design and Architecture category for the SAYL chair.

Herman Miller earns Citibank's Global Environmental Vendor of the Year award.

The SAYL chair from Herman Miller was dubbed the "Product Design of the Year" from the 2010 International Design Awards (IDA) jury.

Herman Miller Healthcare's Compass system was awarded a 2011 Medical Design Excellence Award (MDEA) for its research-based design and ability to be used in a variety of healing spaces, while simultaneously improving the overall delivery of healthcare.

The Sustainable Asset Management (SAM) Group selected Herman Miller for inclusion in the "Sustainability Yearbook 2011" and awarded us both the "SAM Sector Leader" and "SAM Sector Mover" distinctions.

Herman Miller has received the top rating for a fourth consecutive year in the Human Rights Campaign (HRC) Foundation's eighth annual Corporate Equality Index. The "Best Places to Work for LGBT Equality" distinction is awarded to businesses that scored 100% on the HRC Foundation's 2011 Corporate Equality Index.

Herman Miller again tops contract furniture industry in FORTUNE's "Most Admired" Companies survey. For the 23rd time in 25 years.

2010

The NASDAQ OMX CRD Global Sustainability Index (QCRD) has included Herman Miller among their top 100 companies in the world.

Herman Miller achieves seventh consecutive listing on Dow Jones Sustainability World Index, an international stock portfolio that evaluates the annual performance of the world's largest 2500 companies using economic, environmental, and social criteria, known as the "triple bottom line" of sustainability. Herman Miller is one of approximately 300 companies worldwide and the only contract office furniture manufacturer, selected for this index.

Herman Miller has been recognized by Fast Company magazine as one of its 2010 Most Innovative Companies and among the more select Innovation All-Stars.

The U.S. Environmental Protection Agency's Office of Resource Conservation and Recovery has selected Herman Miller to receive the 2010 WasteWise Gold Achievement Award for Green Purchasing.

The Michigan Department of Natural Resources and Environment (MDNRE) has recognized Herman Miller's West Michigan manufacturing sites and Midwest Distribution Center as continuing Clean Corporate Citizens.

Herman Miller makes the U.S. Environmental Protection Agency's (EPA) list of the top fifty users of renewable electricity, of more than 1,200 organizations participating in the Green Power Partnership. This is the second consecutive time Herman Miller was recognized. Herman Miller was the only furniture manufacturer on the list.

Herman Miller accepted its second Neighborhood Environmental Partners (NEP) award from the Michigan Department of Natural Resources and Environment.

For the 22nd time in 24 years, Herman Miller was awarded the No. 1 industry ranking in a survey among the executives and board members of peer companies and independent industry analysts, as published in FORTUNE magazine's annual "Most Admired" companies feature.

The Michigan Department of Environmental Quality (MDEQ) recognizes Herman Miller's GreenHouse as one of Michigan's top environmental performers with a Clean Corporate Citizen (C3) longevity award. This recognizes that the GreenHouse has maintained its C3 designation for the past five years.

For the third year in a row, Herman Miller makes FORTUNE magazine's "100 Best Companies to Work For" list. Herman Miller is one of only three Michigan-based companies to make the list.

24b. Section 508 Compliance

Not applicable

25. Data Universal Numbering System (DUNS): 00-601-2801

26. Registered in System for Award Management (www.SAM.gov) Database

27. Cancellation

Prior to production, no cancellation charge will apply. After production, only actual cost incurred that the contractor can demonstrate if items are sold after 3 months.

28. Restocking Charges

Agencies must notify the contractor for authorization prior to returning any items. The customer agency will be required to pay all packaging and return freight charges. A restocking fee of 50% for Systems Furniture and 35% for all other product lines will be charged for any returned items.

Herman Miller Miscellaneous Information:

Federal ID Number: 38-0837640

Commercial and Government Entity Code (CAGE): 40636

Data Universal Numbering System (DUNS) 00-601-2801

Commercial Entity Code (CEC): 00702290J

Introduction	page 2
Resolve® System	3
Infrastructure	5
Work Surfaces	51
Storage	64
Display Components	91
Lighting	101
Indices	105
By Name	105
By Number	107
Appendices	
20-Day or Less/Assigned Lead-Time Order Information	
Keyed-Alike Information	
Vary Easy Program	
Fire Retardancy-Resolve System	
Customer's Own Material Order Information-Resolve System	
Proprietary Textiles Application Chart-Workspaces	
Proprietary Textile Colors-Workspaces	
Design on Textile (DOT) and Customer's Own Image (COI) Order Information	
Design on Textile (DOT) Collection	
For the latest materials information, refer to the Materials pages on HermanMiller.com.	

Introduction

A Note on the Organization of This Book

There are a few signals that will help you understand the organization of this book. Once you know them, you should be able to find your way around easily.

Like a newspaper, this book is formatted with columns of text and illustrations that run vertically.

Information wraps from one column to the next and continues for as many pages as it needs to.

Black bars are clues.

A black bar at the top of a page signals the start of information about a product.

This information is divided into two sections, each signaled by a black bar. Product Information includes a description, additional notes, and dimensional drawings. Specification Information, which always begins at the top of a column, includes a series of steps. Each step represents a decision you need to make in order to complete your product number. Steps must be followed sequentially. The number of pages needed to complete information on a product varies; some will be complete in one page; others may fill three or four pages. Just continue going through the steps until you run into the next product, signaled by the black bar at the top of the page.

Black tabs running along the outside edge of the page help you locate what section you are in or what section you want to go to. You can thumb forwards or backwards to find a section; tabs and text appear on both sides of the page.

The additional pages in the back of the book include the appendices and indices. They are signaled by a long black bar running along the outside edge of the page.

The index is presented two ways.

The first index is in alphabetical order by product name. It can be helpful if you are new to the products and numbering scheme or if you are looking for a type of product, such as work chair or round table.

The second index is by product number. It lists, in alphanumeric order, the base product number, typically a five-digit number.

General Information

This book is effective April 2, 2018, subject to change without notice. Products may be purchased from authorized Herman Miller dealers who will quote prices upon request. For more information about our products and services or to see a list of dealers, visit www.HermanMiller.com.


All prices are list prices. Additional services, such as planning services, design, storage, and installation, are not included and must be added to these prices when the additional services are requested.


Illustrations, specifications, and prices are based on the latest information at the time of publication. The right is reserved to make changes at any time without notice in prices, fabrics, finishes, materials, specifications, and models, and also to discontinue models and finishes.

Dimensions shown in the drawings are engineering drawing dimensions rounded up to the nearest $\frac{1}{8}$ ". Product is shipped set up or knocked down. Products that include "Shipped knocked down" in the description require some assembly. If this statement does not appear in the description, the product is shipped assembled.

Service problems are normally handled by a Herman Miller authorized dealer. Where this cannot be accomplished on a local level, service problems should be referred to the Customer Care Representative for your region, Herman Miller, Inc., Zeeland, Michigan 49464.

20-Day or Less/Assigned Lead-Time Shipments

All products and options in this price book not designated by an Assigned Program icon  will ship in **20 business days or less** after being acknowledged by Herman Miller.

Products and options designated by an  are on the assigned lead-time program and may ship in 20 days, less than 20 days, or more than 20 days from order acknowledgement.

Infrastructure

Work Surfaces

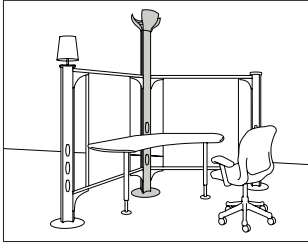
Storage

Display Components

Lighting

Tall Pole

R1110.



Product Information

Description

This 96"-high, 3-sided pole forms 120° connections between support arms. It attaches to trusses and allows overhead delivery of power and/or data. Each pole has 3 petals and a crown at the top, and a 2" adjustable base that adjusts the pole height in 1/2" increments. The N, R, and P power options have 9 receptacle location covers; each side of the pole is prepunched to hold 3 duplex receptacles.

The pole is available nonpowered or powered. The powered pole has a 3-sided, 6-circuit electrical harness on the inside of the pole. The pole is UL listed; electrical components are UL listed and CSA certified.

The field-wired version of the tall pole (R1110.R) meets Chicago electrical code requirements. This version can also be used internationally and is compatible with most international electrical systems and components.

Notes

Order following products separately:

- Fixed truss (R1220.) or sliding truss (R1230.)
- Support arms (R1210.)

To manage data cables, order 1 of the following products separately:

- Cable bag (R1365.)
- Cable cover (R1361.)
- Cable management clips (R1362.)

To attach data ports to outside of pole, order data faceplate housing (R1360.) separately.

For powered pole, order 6-circuit duplex receptacle (R1311.) separately.

To add simplex receptacles to crown, order simplex receptacle (R1312.) separately.

To convert nonpowered pole with cutouts to powered pole, order tall pole power harness (R1380.) separately.

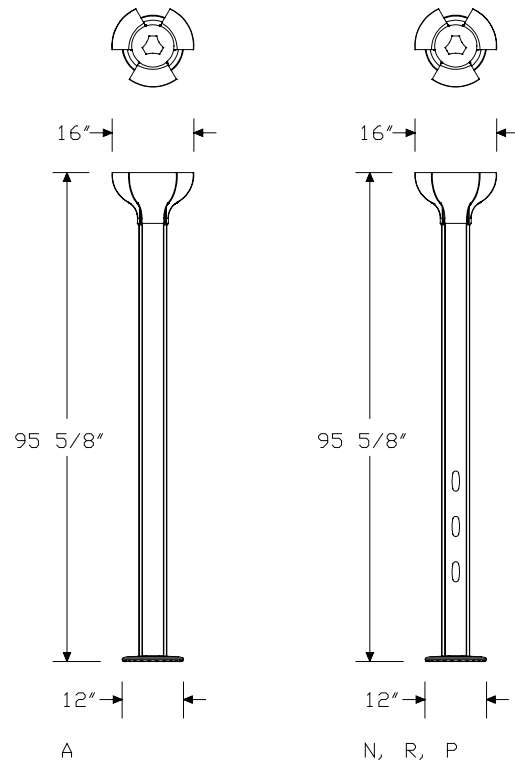
To pass power over the top of nonpowered pole, order power block (R1382.) separately.

To add duplex receptacle to field-wired pole (R1110.R), order receptacle box/cover (R1313.) separately. Receptacle box/cover accepts standard-size faceplates and duplex receptacles (supplied by electrician).

To supply power to field-wired pole (R1110.R) from the floor or wall, order power entry plate (R1325.) separately.

Nonpowered pole without cutouts (R1110.A) cannot be converted to a powered pole.

Dimensions



Specification Information

Step 1.

R1110.

Step 2. Power

- A** nonpowered, no cutouts
- N** nonpowered, with cutouts
- R** nonpowered, field wired (meets Chicago electrical code requirements)
- P** powered

Prices for Steps 1-2.

R1110. A	\$647
N	\$675
R	\$909
P	\$1080

Step 3. Pole/Crown Finish

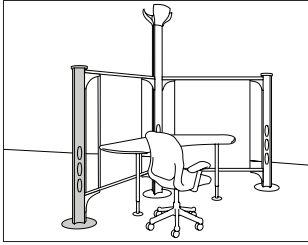
8Q	folkstone grey	+\$0
LU	soft white	+\$0
CN	metallic champagne	+\$30
EH	metallic bronze	+\$30
MS	metallic silver	+\$30

Step 4. Base/Trim Finish

3G	brownstone	+\$0
8Q	folkstone grey	+\$0
CL	cool grey neutral	+\$0
LU	soft white	+\$0
WL	sandstone	+\$0
WN	warm grey neutral	+\$0

Short Pole

R1120.



Product Information

Description

This 48"- or 60"-high, 3-sided pole forms 120° connections between support arms. Each pole has a top cap and a 2" adjustable base that adjusts the pole height in 1/2" increments. The N, R, and P power options have 9 receptacle location covers; each side of the pole is prepunched to hold 3 duplex receptacles.

The pole is available nonpowered or powered. The powered pole has a 3-sided, 6-circuit electrical harness on the inside of the pole. The pole is UL listed; electrical components are UL listed and CSA certified.

The field-wired version of the short pole (R1120.48R and R1120.60R) meets Chicago electrical code requirements. This version can also be used internationally and is compatible with most international electrical systems and components.

Notes

Standing-height monitor pod, standing-height café table, pole accent light, and 60"- and 69"-high boundary and display screens cannot be used with 48"-high short pole.

Order support arms (R1210.) separately.

To manage data cables, order 1 of the following products separately:

- Cable bag (R1365.)
- Cable cover (R1361.)
- Cable management clips (R1362.)

To attach data ports to outside of pole, order data faceplate housing (R1360.) separately.

For powered pole, order 6-circuit duplex receptacle (R1311.) separately.

To convert nonpowered pole with cutouts to powered pole, order short pole power harness (R1381.) separately.

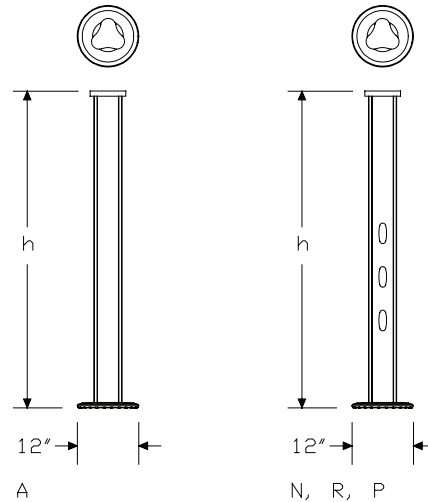
To add duplex receptacle to field-wired pole (R1120.60R), order receptacle box/cover (R1313.) separately. Receptacle box/cover accepts standard-size faceplates and duplex receptacles (supplied by electrician).

To supply power to field-wired pole (R1120.60R), order power entry plate (R1325.) separately.

Order optional pole lamp (R6310.) or Chicago pole lamp (R6311.) separately.

Nonpowered pole without cutouts (R1120.A) cannot be converted to a powered pole.

Dimensions



Specification Information

Step 1.

R1120.

Step 2. Height

48 48" high

60 60" high

Step 3. Power

A nonpowered, no cutouts

N nonpowered, with cutouts

R nonpowered, field wired (meets Chicago electrical code requirements)

P powered

Prices for Steps 1-3.

	A	N	R	P
R1120. 48	\$359	388	510	658
60	\$424	457	563	724

Step 4. Pole Finish

8Q folkstone grey +\$0

LU soft white +\$0

CN metallic champagne +\$15

EH metallic bronze +\$15

MS metallic silver +\$15

Step 5. Base/Trim Finish

3G brownstone +\$0

8Q folkstone grey +\$0

CL cool grey neutral +\$0

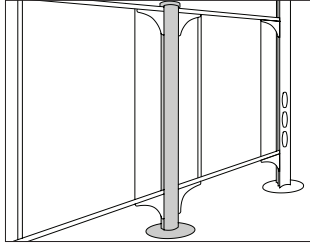
LU soft white +\$0

WL sandstone +\$0

WN warm grey neutral +\$0

In-Line Pole

R1140.



Product Information

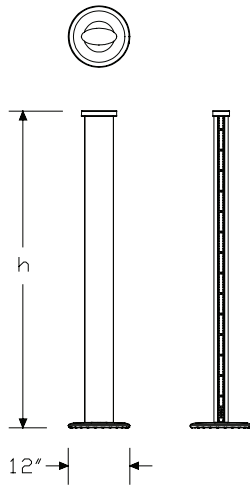
Description

This 2-sided pole forms a 180° connection between support arms. It is available in a 48", 60", or 72" height and has a top cap and a 2" adjustable base that adjusts the pole height in 1/2" increments. The in-line pole does not accommodate power or data cables. The pole is UL listed.

Notes

Order support arms (R1210.) separately.

Dimensions



Specification Information

Step 1.

R1140.

Step 2. Height

48	48" high
60	60" high
72	72" high

Prices for Steps 1-2.

R1140. 48	\$315
60	\$385
72	\$412

Step 3. Pole Finish

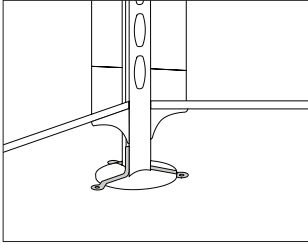
8Q	folkstone grey	+\$0
LU	soft white	+\$0
CN	metallic champagne	+\$20
EH	metallic bronze	+\$20
MS	metallic silver	+\$20

Step 4. Base/Top Cap Finish

3G	brownstone	+\$0
8Q	folkstone grey	+\$0
CL	cool grey neutral	+\$0
LU	soft white	+\$0
WL	sandstone	+\$0
WN	warm grey neutral	+\$0

Seismic Clip

R1190.



Resolve® Infrastructure

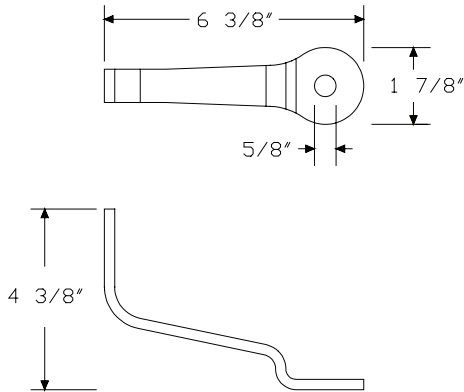
Product Information

Description
 This clip secures a tall, short, or in-line pole to the floor in regions where seismic activity is a concern or where required by local code. 3 clips are required for each tall or short pole; 2 clips are required for each in-line pole. Hardware to secure the clips to the pole is included; hardware to secure the clips to the floor is not included. Package contains 6.

Notes

Seismic clips must be field installed.

Dimensions



Specification Information

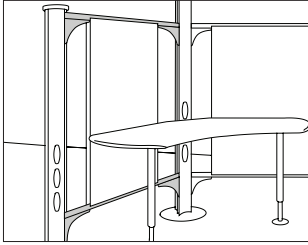
Step 1.
R1190. \$92

Step 2. Finish

8Q	folkstone grey	+\$0
LU	soft white	+\$0
CN	metallic champagne	+\$5
EH	metallic bronze	+\$5
MS	metallic silver	+\$5

Support Arms

R1210.



Product Information

Description

These arms connect to tall, short, or in-line poles to create boundaries and hold components and accessories. They are available in 48" or 60" lengths as measured from the center axis of the connecting poles. Package includes an upper support arm and lower support arm. Support arms are UL listed.

Notes

Order screens separately:

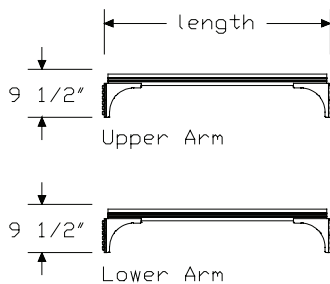
- Boundary screen (R1410.)
- Display screen (R1420.)
- Marker screen (R1450.)

Order arm-attached storage separately:

- Arm-attached cabinet (R3221.)
- Ladder shelf (R3312.)
- Tool rail (R3610.)

To distribute power and data on lower support arm, order power/data channel (R1351.) separately.

Dimensions



Specification Information

Step 1.

R1210.

Step 2. Length

48	48" long
60	60" long

Prices for Steps 1-2.

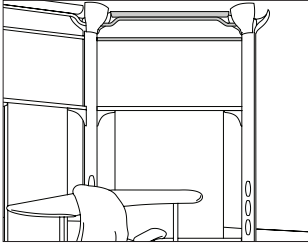
R1210. 48	\$246
60	\$288

Step 3. Finish

8Q	folkstone grey	+\$0
LU	soft white	+\$0
CN	metallic champagne	+\$15
EH	metallic bronze	+\$15
MS	metallic silver	+\$15

Fixed Truss

R1220.



Resolve® Infrastructure

Product Information

Description

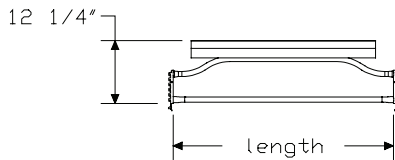
This truss attaches to 2 tall poles and delivers overhead power and/or data, creates boundaries, and can be used over an aisle. A steel barrier separates power and data cables in the trough. The truss is available nonpowered or powered and in 5 lengths. The powered truss has a 6-circuit electrical harness on the inside of the trough. The truss is UL listed; electrical components are UL listed and CSA certified.

Notes

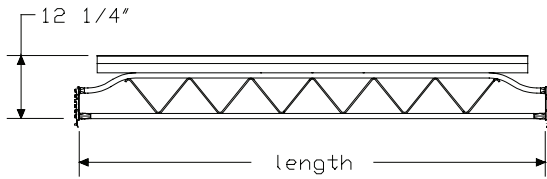
To convert nonpowered truss to powered truss, order fixed truss power jumper conversion kit (R1345.) separately.

For cable capacity information, see Cable Capacity Charts in Omni.

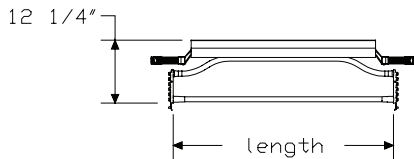
Dimensions



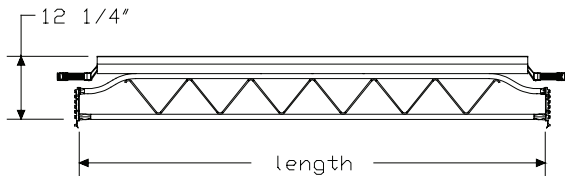
Nonpowered: 48", 60"



Nonpowered: 96", 108", 120"



Powered: 48", 60"



Powered: 96", 108", 120"

Specification Information

Step 1.

R1220.

Step 2. Length

048	48" long
060	60" long
096	96" long
108	108" long
120	120" long

Step 3. Power

N	nonpowered
P	powered

Prices for Steps 1-3.

	N	P
R1220. 048	\$414	622
060	\$478	713
096	\$730	1022
108	\$796	1107
120	\$860	1205

Step 4. Truss/Bracket Finish

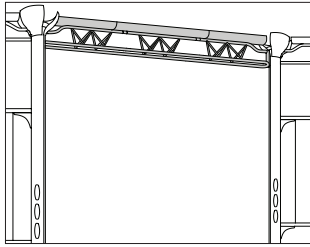
8Q	folkstone grey	+\$0
LU	soft white	+\$0
CN	metallic champagne	+\$10
EH	metallic bronze	+\$10
MS	metallic silver	+\$10

Step 5. Trough Finish

3G	brownstone	+\$0
8Q	folkstone grey	+\$0
CL	cool grey neutral	+\$0
LU	soft white	+\$0
WL	sandstone	+\$0
WN	warm grey neutral	+\$0

Sliding Truss

R1230.



Product Information

Description

This truss joins 2 tall poles and connects 2 separate constellations. It delivers overhead power and/or data, creates boundaries, and can be used over an aisle. A steel barrier separates power and data cables in the trough. The truss has 3 adjustable lengths: 9' to 12', 12' to 16', or 16' to 20'; attachment brackets at each end rotate the truss 62° to the left and right of center.

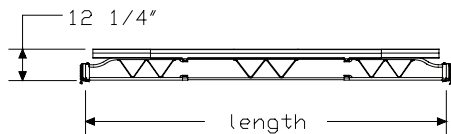
The truss is available nonpowered or powered. The powered truss has a 6-circuit electrical harness on the inside of the trough. The truss is UL listed; electrical components are UL listed and CSA certified.

Notes

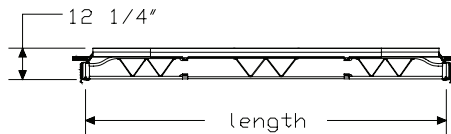
To convert nonpowered truss to powered truss, order sliding truss power jumper conversion kit (R1346.) separately.

For cable capacity information, see Cable Capacity Charts in Omni.

Dimensions



Nonpowered



Powered

Specification Information

Step 1.

R1230.

Step 2. Length

- 0912** extends from 9' to 12'
- 1216** extends from 12' to 16'
- 1620** extends from 16' to 20'

Step 3. Power

- N** nonpowered
- P** powered

Prices for Steps 1-3.

	N	P
R1230. 0912	\$1686	2288
1216	\$1895	2499
1620	\$2106	2708

Step 4. Truss/Bracket Finish

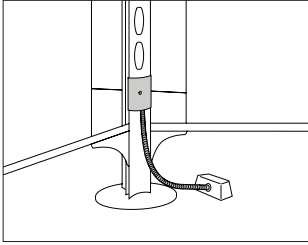
- 8Q** folkstone grey +\$0
- LU** soft white +\$0
- CN** metallic champagne +\$20
- EH** metallic bronze +\$20
- MS** metallic silver +\$20

Step 5. Trough Finish

- 3G** brownstone +\$0
- 8Q** folkstone grey +\$0
- CL** cool grey neutral +\$0
- LU** soft white +\$0
- WL** sandstone +\$0
- WN** warm grey neutral +\$0

Floor/Wall Power Entry

R1320.



Resolve® Infrastructure

Product Information

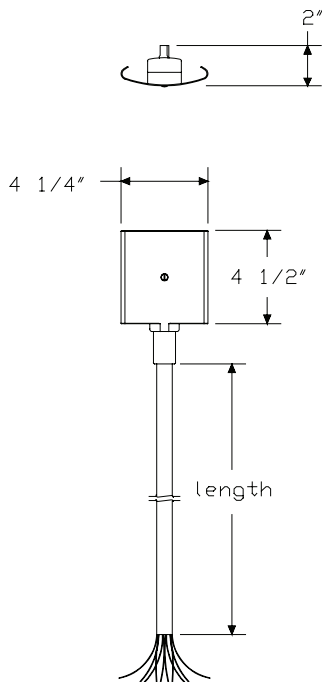
Description

This power entry connects a building's electrical supply from a wall, floor, or column to the power harness of a tall or short pole. It distributes up to 6 20-amp circuits and is available in 4 lengths, which can be field cut to the appropriate length. The power entry plugs directly into the pole's electrical harness and uses 1 of the lowest receptacle openings. It is UL listed and CSA certified. Attachment hardware is included.

Notes

Licensed electrician must wire power entry.

Dimensions



Specification Information

Step 1.

R1320.

Step 2. Length

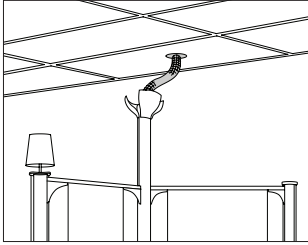
06	6' long
12	12' long
18	18' long
24	24' long

Prices for Steps 1-2.

R1320. 06	\$231
12	\$297
18	\$364
24	\$431

Step 3. Receptacle Filler Finish

3G	brownstone	+\$0
8Q	folkstone grey	+\$0
CL	cool grey neutral	+\$0
LU	soft white	+\$0
WL	sandstone	+\$0
WN	warm grey neutral	+\$0



Product Information

Description

This power/data entry connects a ceiling's electrical supply to a power harness or power block at the top of a tall pole. It distributes up to 6 20-amp circuits. The entry is available in 3 mesh-wrap lengths and includes a ceiling bezel connector. The mesh wrap and ceiling bezel connector are off white. The entry is UL listed and CSA certified.

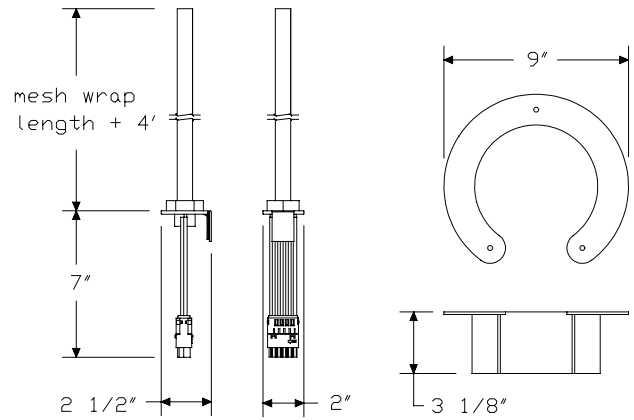
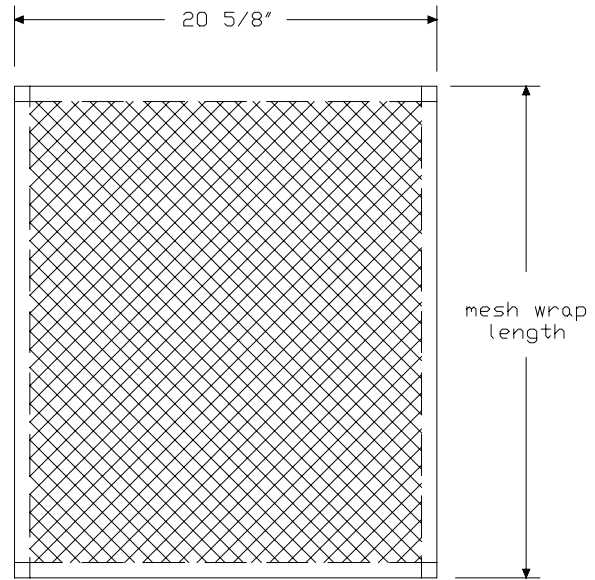
The entry is available nonpowered or powered. The powered entry includes a flex-conduit harness with a crown-mounting bracket and power whip that is 4' longer than the mesh wrap to allow flexibility during installation.

Notes

A licensed electrician must wire the power entry.

For cable capacity information, see Cable Capacity Charts in Kiosk.

Dimensions



Specification Information

Step 1.

R1332.

Step 2. Mesh Wrap Length

02 2' long

04 4' long

06 6' long

Step 3. Power

N nonpowered

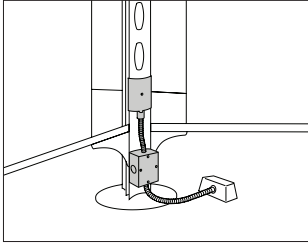
P powered

Prices for Steps 1-3.

	N	P
R1332. 02	\$166	390
04	\$197	482
06	\$225	541

Floor/Wall Power Entry,
New York City

R1321.



Product Information

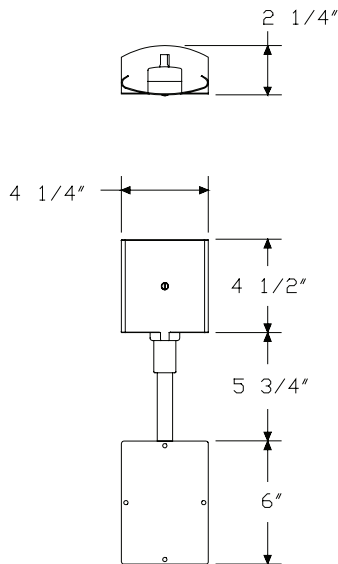
Description

This power entry connects a building's electrical supply from a wall, floor, or column to the power harness of a tall or short pole with cutouts. It distributes up to 6 20-amp circuits. The power entry plugs directly into the pole's electrical harness and uses 1 of the lowest receptacle openings. It also includes an electrical box and cover that is connected by conduit. The power entry is UL listed. Attachment hardware is included.

Notes

Licensed electrician must wire power entry.

Dimensions



Specification Information

Step 1.

R1321. \$431

Step 2. Electrical Box/Cover Finish

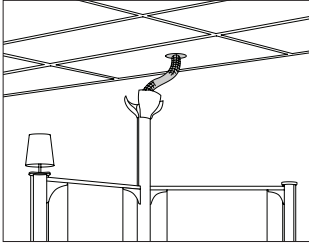
8Q	folkstone grey	+\$0
LU	soft white	+\$0
CN	metallic champagne	+\$0
EH	metallic bronze	+\$0
MS	metallic silver	+\$0

Step 3. Receptacle Filler Finish

3G	brownstone	+\$0
8Q	folkstone grey	+\$0
CL	cool grey neutral	+\$0
LU	soft white	+\$0
WL	sandstone	+\$0
WN	warm grey neutral	+\$0

Ceiling Power/Data Entry,
New York City

R1331.



Resolve® Infrastructure

Product Information

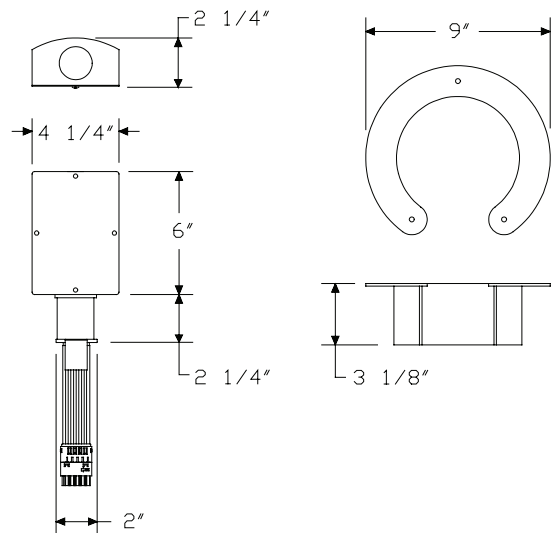
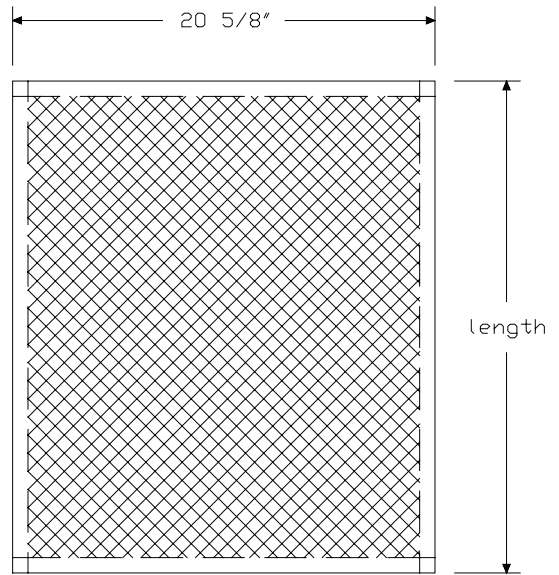
Description

This power/data entry connects a ceiling's electrical supply to a power harness at the top of a tall pole. It distributes up to 6 20-amp circuits. The entry includes a mesh wrap for wire/cable management, a ceiling bezel connector, and a power harness and junction box that mounts to the pole's crown. The mesh wrap is available in 3 lengths. The entry is UL listed.

Notes

Licensed electrician must wire power entry.
For cable capacity information, see Cable Capacity Charts in Kiosk.

Dimensions



Ceiling Power/Data Entry,
New York City *continued*

Specification Information

Step 1.

R1331.

Step 2. Mesh Wrap Length

02 2' long

04 4' long

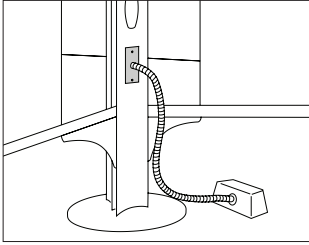
06 6' long

Prices for Steps 1-2.

R1331. 02	\$486
04	\$540
06	\$594

Power Entry Plate

R1325.



Resolve® Infrastructure

Product Information

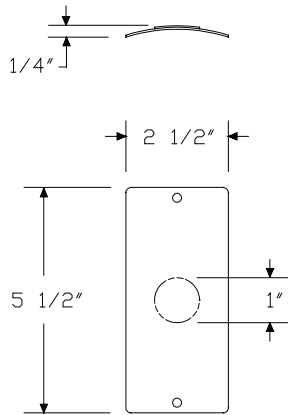
Description

This plate covers receptacle openings on a field-wired tall or short pole. It includes a knockout that allows conduit to be routed into the pole. Package contains 6.

Notes

Specify power entry plate for use with poles that are field wired for international use or to meet Chicago electrical codes: tall pole (R1110.R) or short pole (R1120.60R).

Dimensions



Specification Information

Step 1.

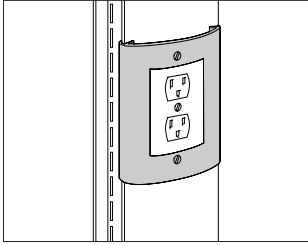
R1325. \$63

Step 2. Finish

8Q	folkstone grey	+\$0
LU	soft white	+\$0
CN	metallic champagne	+\$0
EH	metallic bronze	+\$0
MS	metallic silver	+\$0

Receptacle Box/Cover

R1313.



Product Information

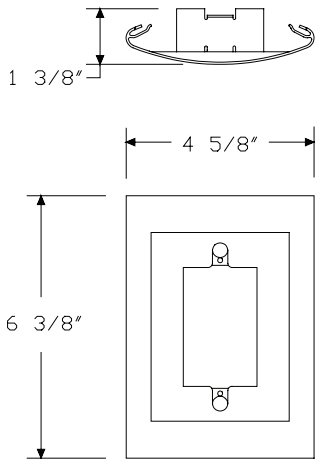
Description

This product attaches to a field-wired tall or short pole. It includes an electrical junction box and cover that attach to a field-wired pole's receptacle opening. Package contains 6.

Notes

Specify receptacle box/cover for use with poles that are field wired for international use or to meet Chicago electrical codes: tall pole (R1110.R) or short pole (R1120.6oR).

Dimensions



Specification Information

Step 1.

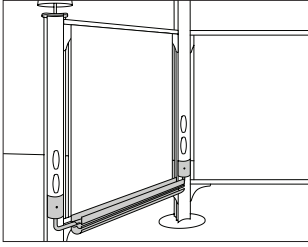
R1313. \$376

Step 2. Box Finish

8Q	folkstone grey	+\$0
LU	soft white	+\$0
CN	metallic champagne	+\$0
EH	metallic bronze	+\$0
MS	metallic silver	+\$0

Step 3. Cover Finish

3G	brownstone	+\$0
8Q	folkstone grey	+\$0
CL	cool grey neutral	+\$0
LU	soft white	+\$0
WL	sandstone	+\$0
WN	warm grey neutral	+\$0



Product Information

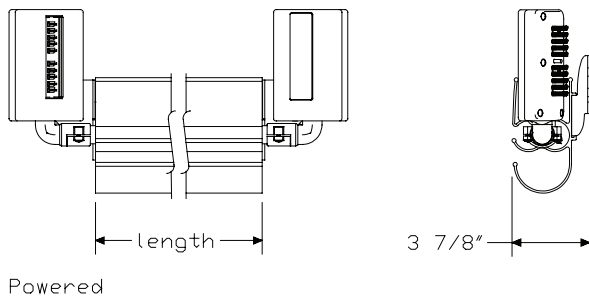
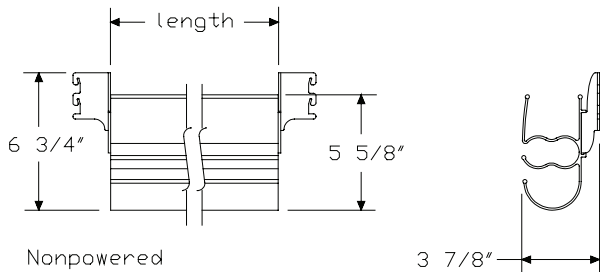
Description

This channel mounts between 2 poles above the lower support arm and distributes power and data. It includes 3 channels: 1 for cables and power cords, 1 for an optional power harness, and 1 for data cables. The channel is available nonpowered or powered and in a 48" or 60" length. The powered center channel includes a power jumper with a flex-conduit harness; its direct connects on each end plug into the adjacent pole's electrical harness at the lowest receptacle opening. The channel is UL listed and CSA certified.

Notes

Specify length of channel to match length of support arms.
 For cable capacity information, see Cable Capacity Charts in Omni.

Dimensions



Specification Information

Step 1.

R1351.

Step 2. Length

- 048** 48" long
- 060** 60" long

Step 3. Power

- N** nonpowered
- P** powered

Prices for Steps 1-3.

	N	P
R1351. 048	\$156	343
060	\$171	404

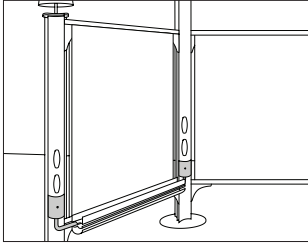
Step 4. Bracket Finish

- 8Q** folkstone grey +\$0
- LU** soft white +\$0
- CN** metallic champagne +\$0
- EH** metallic bronze +\$0
- MS** metallic silver +\$0

Step 5. Channel Finish

- 3G** brownstone +\$0
- 8Q** folkstone grey +\$0
- CL** cool grey neutral +\$0
- LU** soft white +\$0
- WL** sandstone +\$0
- WN** warm grey neutral +\$0

Power Jumper Conversion Kit, R1341.
Power/Data Channel



Product Information

Description

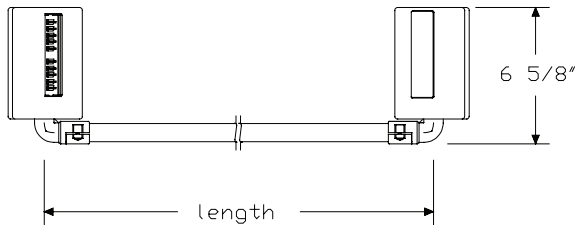
This kit converts a nonpowered power/data channel(s) to a powered power/data channel(s). It distributes up to 6 20-amp circuits and is available in 5 lengths. The kit includes a flex-conduit harness with direct connects on each end that plug into the adjacent tall or short pole's electrical harness at the lowest receptacle opening. It is UL listed and CSA certified.

Notes

Specify length of conversion kit to match distance between the 2 connecting powered poles.

When power is routed past a nonpowered in-line pole, specify length of conversion kit to match combined length of the 2 connecting power/data channels.

Dimensions



Specification Information

Step 1.

R1341.

Step 2. Length

048	48" long
060	60" long
096	96" long
108	108" long
120	120" long

Prices for Steps 1-2.

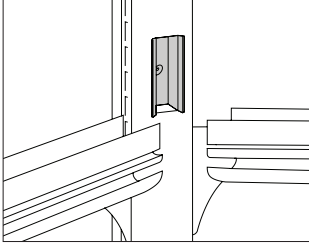
R1341. 048	\$190
060	\$238
096	\$338
108	\$370
120	\$404

Step 3. Finish

3G	brownstone	+\$0
8Q	folkstone grey	+\$0
CL	cool grey neutral	+\$0
LU	soft white	+\$0
WL	sandstone	+\$0
WN	warm grey neutral	+\$0

Power Pass-Through Bracket

R1352.



Resolve® Infrastructure

Product Information

Description

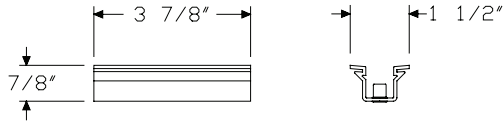
This mounting bracket fits into a nonpowered pole's receptacle location. It allows power to pass from a powered pole, through a nonpowered pole, and onto another powered pole. The bracket provides a connection point for the 2 lower arm power harnesses in the powered poles. It is UL listed and CSA certified. Package contains 6.

Notes

Power pass-through bracket can only be used with nonpowered poles with cutouts. It cannot be used with powered poles, nonpowered poles without cutouts, or power harnesses.

Use of the power pass-through bracket does not create a powered pole.

Dimensions



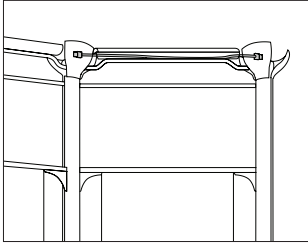
Specification Information

Step 1.

R1352.

\$47

**Power Jumper Conversion Kit, R1345.
Fixed Truss**



Product Information

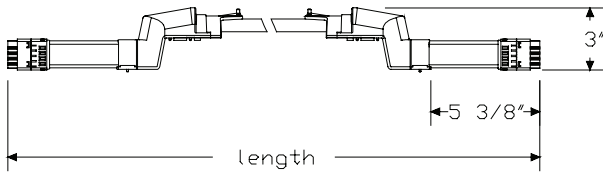
Description

This kit converts a nonpowered fixed truss to a powered fixed truss. It distributes up to 6 20-amp circuits and is available in 5 lengths. The kit includes a flex-conduit harness with connectors on each end that plug into the top of the adjacent tall pole's power harness or power block. It is UL listed and CSA certified.

Notes

Specify length of conversion kit to match length of fixed truss.

Dimensions



Specification Information

Step 1.

R1345.

Step 2. Length

048	48" long
060	60" long
096	96" long
108	108" long
120	120" long

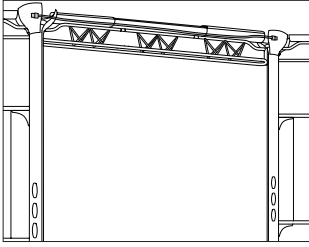
Prices for Steps 1-2.

R1345. 048	\$204
060	\$231
096	\$284
108	\$302
120	\$335

Step 3. Harness End Finish

3G	brownstone	+\$0
8Q	folkstone grey	+\$0
CL	cool grey neutral	+\$0
LU	soft white	+\$0
WL	sandstone	+\$0
WN	warm grey neutral	+\$0

Power Jumper Conversion Kit, R1346.
Sliding Truss



Resolve® Infrastructure

Product Information

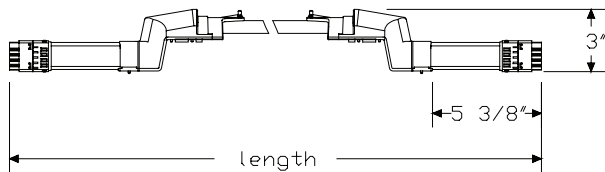
Description

This kit converts a nonpowered sliding truss to a powered sliding truss. It distributes up to 6 20-amp circuits and is available in 3 lengths. The kit includes a flex-conduit harness with connectors on each end that plug into the top of the adjacent tall pole's power harness or power block. It is UL listed and CSA certified.

Notes

Specify length of conversion kit to match length of sliding truss.

Dimensions



Specification Information

Step 1.

R1346.

Step 2. Length

- 0912** extends from 9' to 12'
- 1216** extends from 12' to 16'
- 1620** extends from 16' to 20'

Prices for Steps 1-2.

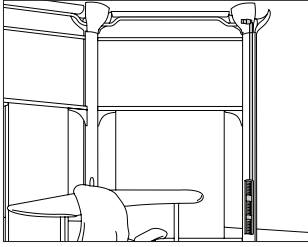
R1346. 0912	\$455
1216	\$455
1620	\$455

Step 3. Harness End Finish

3G	brownstone	+ \$0
8Q	folkstone grey	+ \$0
CL	cool grey neutral	+ \$0
LU	soft white	+ \$0
WL	sandstone	+ \$0
WN	warm grey neutral	+ \$0

Power Harness, Tall Pole

R1380.



Product Information

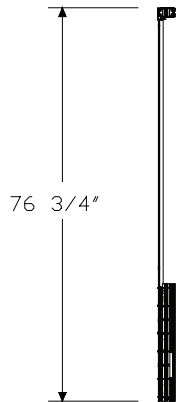
Description

This harness converts a nonpowered tall pole to a powered tall pole. It distributes up to 6 20-amp circuits and is UL listed and CSA certified.

Notes

Power harness is used with a nonpowered tall pole with cutouts (R1110.N) only.

Dimensions



Specification Information

Step 1.

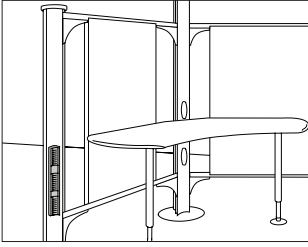
R1380.

\$412

Resolve® Infrastructure

Power Harness, Short Pole

R1381.



Resolve® Infrastructure

Product Information

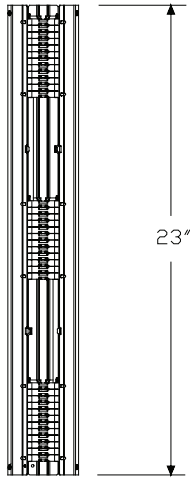
Description

This harness converts a nonpowered short pole with cutouts to a powered short pole. It distributes up to 6 20-amp circuits and is UL listed and CSA certified.

Notes

Power harness is used with a nonpowered short pole with cutouts (R1120.N) only.

Dimensions



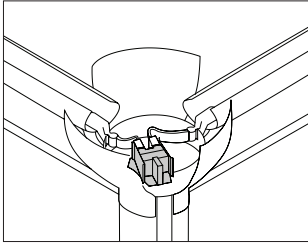
Specification Information

Step 1.

R1381. \$273

Power Block

R1382.



Product Information

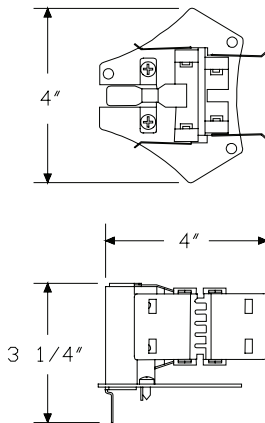
Description

This power block fits into a nonpowered tall pole's crown and passes power over the top of the pole. A crown with a power block accepts up to 4 connections. The power block distributes up to 6 20-amp circuits and is UL listed and CSA certified.

Notes

Power block does not create a powered pole (receptacle locations in tall pole are not powered).
Power block cannot be used with a powered pole or power harness.

Dimensions



Specification Information

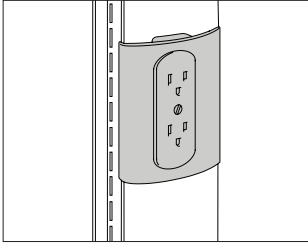
Step 1.

R1382.

\$190

Duplex Receptacle

R1311.



Resolve® Infrastructure

Product Information

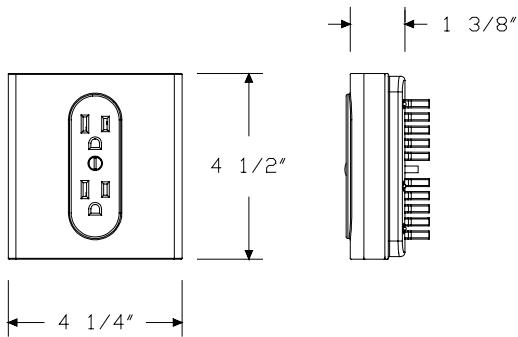
Description

This duplex receptacle attaches to the power harness of a tall or short pole. It is UL listed and CSA certified. Attachment hardware is included. Package contains 6 duplex receptacles.

Notes

For information on receptacle types and wire usage, see Resolve® Planning Guide.

Dimensions



Specification Information

Step 1.

R1311.

Step 2. Circuit Type

- A** circuit a
- B** circuit b
- C** circuit c
- CI** circuit c, isolated ground
- X** circuit x
- XI** circuit x, isolated ground
- YI** circuit y, isolated ground
- ZI** circuit z, isolated ground

Prices for Steps 1-2.

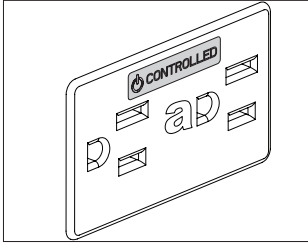
R1311. A	\$244
B	\$244
C	\$244
CI	\$244
X	\$244
XI	\$244
YI	\$244
ZI	\$244

Step 3. Finish

3G brownstone	+ \$0
8Q folkstone grey	+ \$0
CL cool grey neutral	+ \$0
LU soft white	+ \$0
WL sandstone	+ \$0
WN warm grey neutral	+ \$0

Controlled Receptacle Decal
(12 per sheet)

G9999.

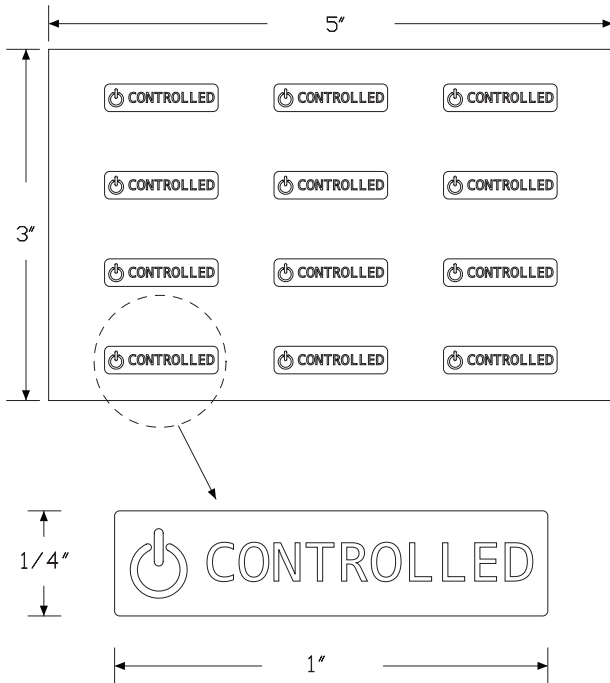


Product Information

Description

This decal is to be used for ASHRAE90.1 and Title 24 compliance. The decal is used to mark standard receptacles (new or existing) that are under automated control by the energy management system. 1 sheet includes 12 clear decals with white or black print.

Dimensions



Specification Information

Step 1.

G9999. A

Step 2. Color

B black print A

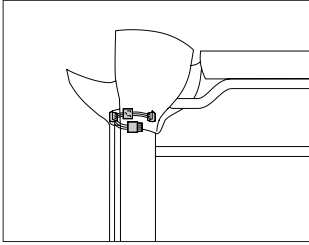
W white print A

Prices for Steps 1-2.

G9999. B	\$7
W	\$7

Simplex Receptacle

R1312.



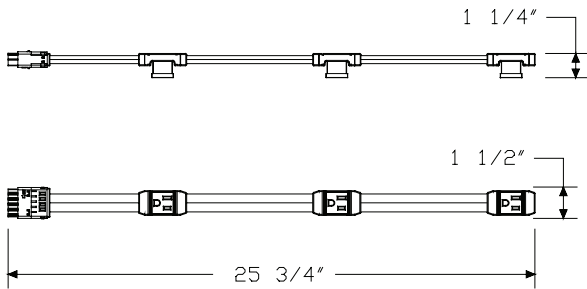
Resolve® Infrastructure

Product Information

Description

This harness has 3 simplex receptacles that access circuit A. It plugs into the top of the tall pole's power harness or power block and fits into the crown. The receptacle harness is UL listed and CSA certified. Finish is black.

Dimensions



Specification Information

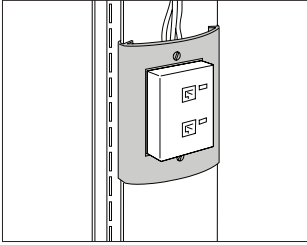
Step 1.

R1312.

\$85

Data Faceplate Housing

R1360.

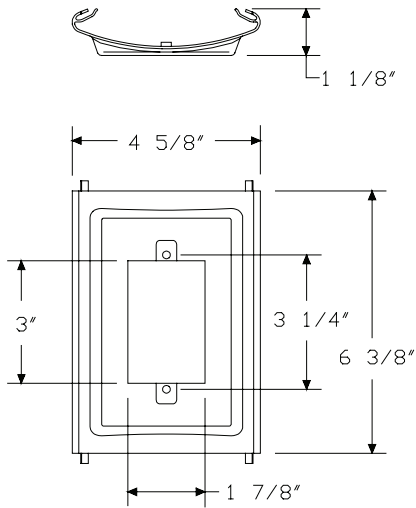


Product Information

Description

This housing snaps onto the face of a tall or short pole. It provides a frame to attach a NEMA single-gang telecommunications faceplate. Package contains 6.

Dimensions



Specification Information

Step 1.

R1360. \$166

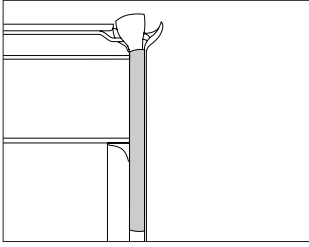
Step 2. Finish

3G	brownstone	+\$0
8Q	folkstone grey	+\$0
CL	cool grey neutral	+\$0
LU	soft white	+\$0
WL	sandstone	+\$0
WN	warm grey neutral	+\$0

Resolve® Infrastructure

Cable Cover

R1361.



Resolve® Infrastructure

Product Information

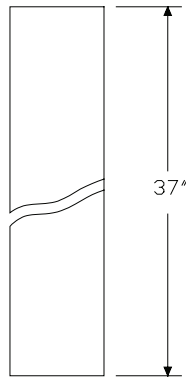
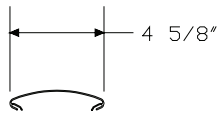
Description

This 37"-high cover snaps onto a tall or short pole and covers data cables in the concave face of the pole. Package contains 3 covers.

Notes

Cover can be field cut to the appropriate length.
 For cable capacity information, see Cable Capacity Charts in Omni.

Dimensions



Specification Information

Step 1.

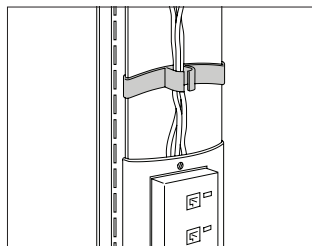
R1361.37 \$168

Step 2. Finish

3G	brownstone	+\$0
8Q	folkstone grey	+\$0
CL	cool grey neutral	+\$0
LU	soft white	+\$0
WL	sandstone	+\$0
WN	warm grey neutral	+\$0

Cable Management Clip

R1362.



Product Information

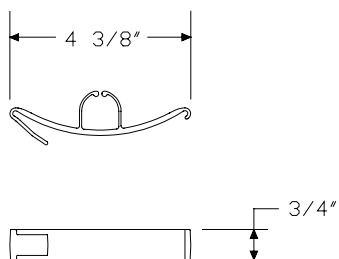
Description

This clip snaps onto a tall or short pole and manages data cables in the concave face of the pole. Package contains 6 clips.

Notes

For cable capacity information, see Cable Capacity Charts in Omni.

Dimensions



Specification Information

Step 1.

R1362. \$45

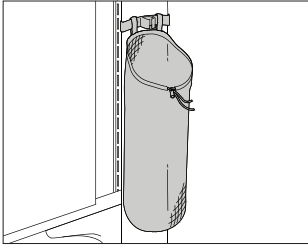
Step 2. Finish

3G	brownstone	+\$0
8Q	folkstone grey	+\$0
CL	cool grey neutral	+\$0
LU	soft white	+\$0
WL	sandstone	+\$0
WN	warm grey neutral	+\$0

Resolve® Infrastructure

Cable Bag

R1365.



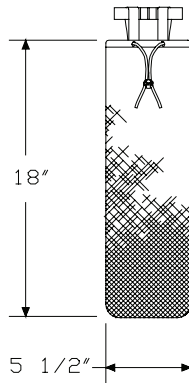
Resolve® Infrastructure

Product Information

Description

This mesh bag hangs from a tall or short pole and holds cords, cables, a multi-outlet strip, or other items. A cable management clip holds the bag in place against the pole; the bag can be adjusted vertically in 1" increments. The bag has a drawstring with a clear plastic cinch button that adjusts the size of the opening and secures cables entering the bag. A hook-and-loop-fastener opening in the back allows cords to enter or exit the back of the bag. Mesh color is grey. 1 cable management clip is included.

Dimensions



Specification Information

Step 1.

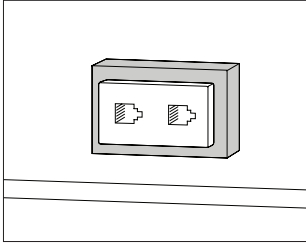
R1365. \$78

Step 2. Clip Finish

3G	brownstone	+\$0
8Q	folkstone grey	+\$0
CL	cool grey neutral	+\$0
LU	soft white	+\$0
WL	sandstone	+\$0
WN	warm grey neutral	+\$0

Communication Port Faceplate Extender

G1189.



Product Information

Description

This faceplate fits over the communication port cutout of the following products: Action Office® Series 2 or Ethospace® cable management side cover; Action Office Series 2 cable management panel face; Ethospace cable access tile upper port; Resolve® data faceplate housing; or a Passage® voice/data outlet. It allows installation of specific cable communication modules without interfering with cable distribution capacity. Attachment hardware is included. Package contains 6.

Notes

Purchase preconfigured voice/data modules/faceplates separately from their manufacturers.

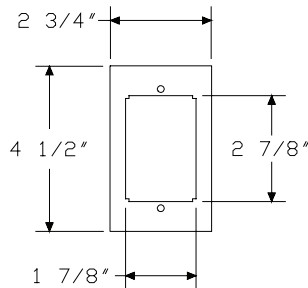
When specifying faceplate for Action Office Series 2 panel or Ethospace frame, order "J" or "G" power option with communication port locations.

When specifying faceplate for Action Office Series 2 cable management panel, order panel face side 1 (A1181.C) and side 2 (A1182.C) separately.

When specifying faceplate for Ethospace grooved face tile or frame with grooved side covers, order both reducer (G1189.A) and extender (G1189.B).

When specifying faceplate for Resolve data faceplate housing, order housing (R1360.) separately.

Dimensions



Specification Information

Step 1.

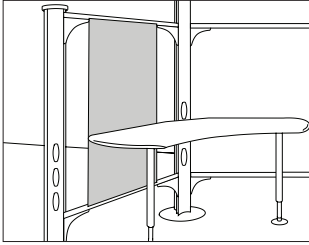
G1189.B \$62

Step 2. Surface Finish

8Q	folkstone grey	+\$0
91	white	+\$0
98	studio white ^A	+\$0
BU	black umber	+\$0
CL	cool grey neutral	+\$0
G1	graphite	+\$0
HF	inner tone light	+\$0
LU	soft white	+\$0
MT	medium tone	+\$0
SG	slate grey	+\$0
WL	sandstone	+\$0
WN	warm grey neutral	+\$0

Boundary Screen

R1410.



Resolve® Infrastructure

Product Information

Description

This fabric screen attaches to an upper and lower support arm using J-strips. It creates a boundary between workstations. The screen is available in combinations of 3 heights and 3 widths; the widths provide different degrees of enclosure. The upper and lower J-strip finish is clear. The screen is UL listed.

Notes

60"- and 69"-high screens cannot be used with 48"-high short pole.

Specify height of screen to match height of upper support arm.

Specify width of screen equal to or less than length of support arms.

For increased acoustical privacy, order acoustical insert (R1412) separately.

Screen accepts Customer's Own Material (COM). Yardage is estimated for nondirectional, 60"-wide fabrics.

Height—Yardage

48"—1¹/₈

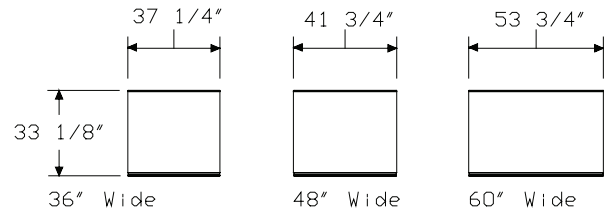
60"—1¹/₂

69"—1⁷/₈

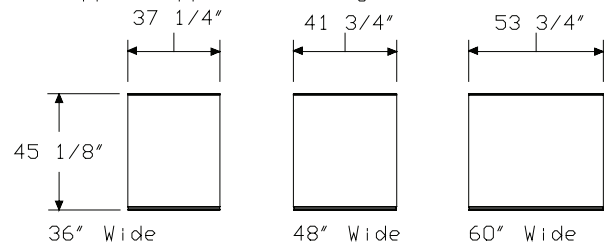
Textiles are cut parallel to the roll to match the appropriate screen height. Add 4 yards COM to total boundary screen order (required for lead-in material used in application process). For information on multiple quantities or directional fabrics, contact COM Department. See Order Information in Appendices.

Dimensions

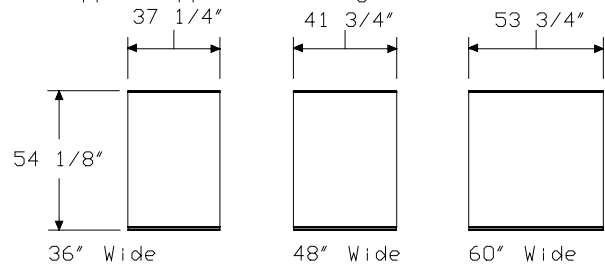
48" Upper Support Arm Height



60" Upper Support Arm Height



69" Upper Support Arm Height



Specification Information

Step 1.

R1410.

Step 2. Upper Support Arm Height

48 48" upper support arm height

60 60" upper support arm height

69 69" upper support arm height

Step 3. Screen Width

36 36" wide

48 48" wide

60 60" wide

Prices for Steps 1-3.

	36	48	60
R1410. 48	\$102	135	168
60	\$135	177	220
69	\$171	220	273

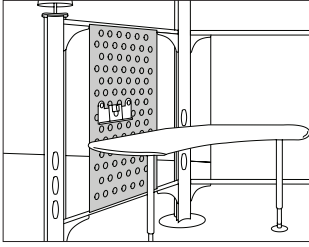
Step 4. Fabric

See DOT® collection list for fabric numbers. First 2 digits of number indicate fabric line; remaining digits indicate image.

	48	60	69
Price Category 1	+\$0	0	0
Price Category 3	+\$25	31	37

Display Screen

R1420.



Resolve® Infrastructure

Product Information

Description

This screen attaches to an upper and lower support arm using J-strips. It has a bubbletack™ surface that is tackable and displays work and personal items. The screen also creates a boundary between workstations. It is available in combinations of 3 heights and 3 widths; the widths provide different degrees of enclosure. The upper and lower J-strip finish is clear. The screen is UL listed.

Notes

60"- and 69"-high screens cannot be used with 48"-high short pole.

Specify height of screen to match height of upper support arm.

Specify width of screen equal to or less than length of support arms.

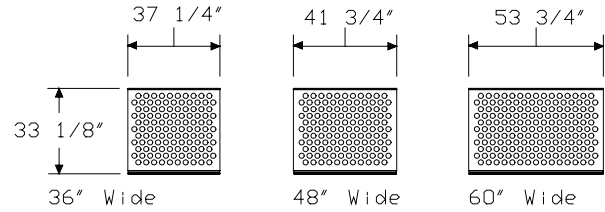
For increased acoustical privacy, order acoustical insert (R1412.) separately.

Order accessories separately:

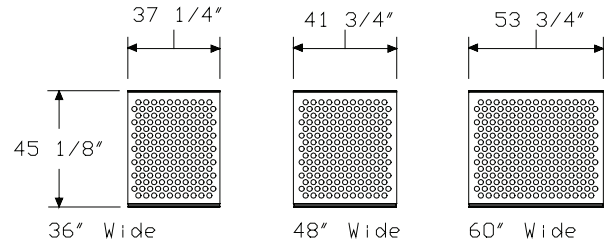
- Document holder (R7412.)
- Ledge (R7411.)
- Mirror (R7413.)
- Picture holder (R7410.)
- Utility hook (R7414.)

Dimensions

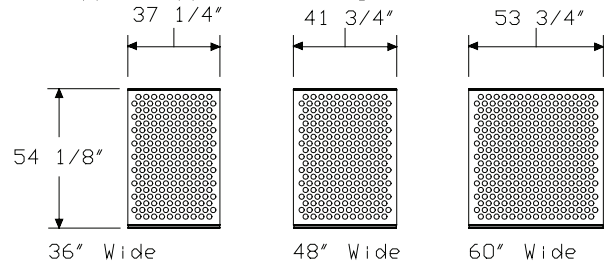
48" Upper Support Arm Height



60" Upper Support Arm Height



69" Upper Support Arm Height



Specification Information

Step 1.

R1420.

Step 2. Upper Support Arm Height

- 48** 48" upper support arm height
- 60** 60" upper support arm height
- 69** 69" upper support arm height

Step 3. Screen Width

- 36** 36" wide
- 48** 48" wide
- 60** 60" wide

Prices for Steps 1-3.

	36	48	60
R1420. 48	\$288	375	468
60	\$375	500	623
69	\$475	623	778

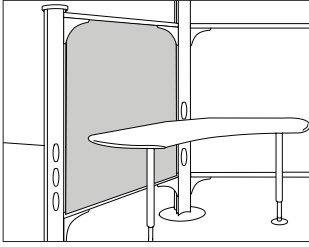
Step 4. Fabric

*See application chart and textiles list for fabric usage and numbers.
First 2 digits of number indicate fabric line; remaining digit(s) indicate fabric color.*

Price Category 1 + \$0

Acoustical Insert

R1412.



Resolve® Infrastructure

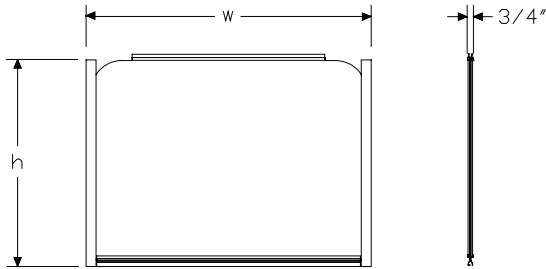
Product Information

Description
 This sound-reducing insert is placed between 2 boundary or display screens mounted on a 4' or 5' support arm. It has a clear, sound-blocking Sound Transmission Class (STC) barrier that is positioned between 2 sound-absorbing Noise Reduction Coefficient (NRC) layers. The 3-piece insert is semi-translucent to light and attaches to the upper and lower support arms. The STC rating is 21; the NRC rating is .40. The insert is UL listed.

Notes

Specify height of insert to match height of support arms.
 Specify width of insert to match width of corresponding boundary or display screen.
 Acoustical insert is not available in 36" width.
 For boundary or display screens shipped before June 6, 2005, please contact Herman Miller Options for appropriate insert widths. Call (800) 654 3910 for more information.

Dimensions



Specification Information

Step 1.

R1412.

Step 2. Upper Support Arm Height

48	48" upper support arm height
60	60" upper support arm height
69	69" upper support arm height

Step 3. Width

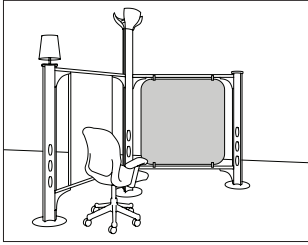
48	48" wide
60	60" wide

Prices for Steps 1-3.

	48	60
R1412. 48	\$330	405
60	\$436	532
69	\$532	670

Marker Screen

R1450.



Product Information

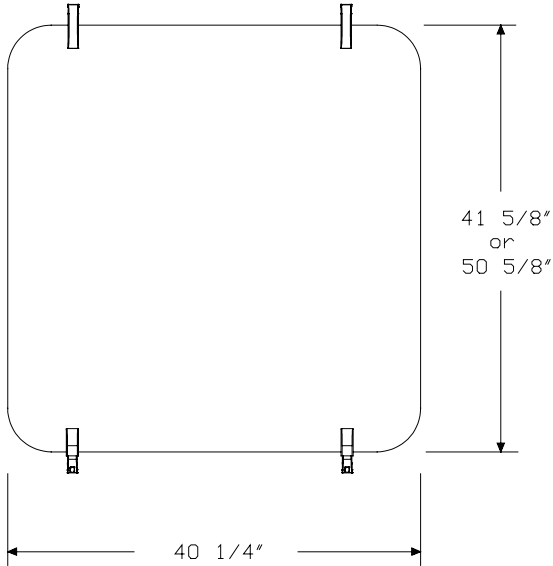
Description

This 48"-wide, double-sided screen attaches to an upper and lower support arm. It is available in 2 heights and has a white erasable writing surface. The screen includes 1 holder for markers and erasers; the holder attaches to the pole. Attachment hardware is included.

Notes

Marker screen cannot be used with 48"-high short pole.
Specify height of screen to match height of upper support arm.

Dimensions



Specification Information

Step 1.

R1450.

Step 2. Upper Support Arm Height

- 6048** 60" upper support arm height
- 6948** 69" upper support arm height

Prices for Steps 1-2.

R1450. 6048	\$926
6948	\$1002

Step 3. Bracket Finish

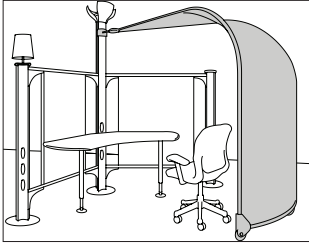
8Q	folkstone grey	+\$0
LU	soft white	+\$0
CN	metallic champagne	+\$0
EH	metallic bronze	+\$0
MS	metallic silver	+\$0

Step 4. Holder Finish

3G	brownstone	+\$0
8Q	folkstone grey	+\$0
CL	cool grey neutral	+\$0
LU	soft white	+\$0
WL	sandstone	+\$0
WN	warm grey neutral	+\$0

Rolling Screen

R1441.



Resolve® Infrastructure

Product Information

Description

This screen attaches to a tall pole on one end, arcs over a workspace, and extends to the floor on the other end. It rolls left and right to allow easy positioning for individual privacy requirements. The fabric screen has a steel tube frame and color-matched wheels. It is available in 2 sizes and as a frame only or as a frame with standard fabrics.

Attachment hardware is included. Shipped knocked down.

The support arm length reference (48" or 60") gives the specifier an idea of the arc created when the rolling screen is used with either 48" or 60"-long support arms.

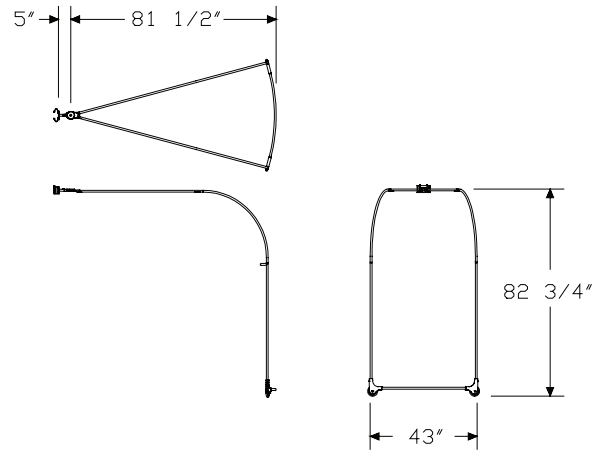
Notes

For accurate planning information, see dimensional drawing and Resolve Planning Guide.

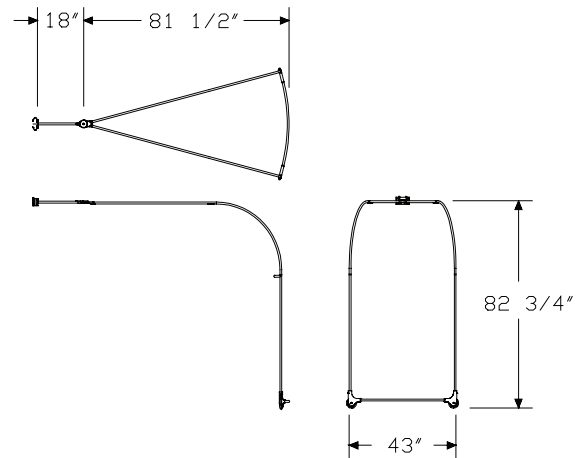
Fabric is shipped separately from frame; fabric must be field installed on frame.

When replacement fabric is needed, order replacement fabric for rolling screen (R1444.) separately.

Dimensions



48" Support Arm Length Reference



60" Support Arm Length Reference

Specification Information

Step 1.

R1441.

Step 2. Support Arm Length Reference

- 48** 48" support arm length reference
- 60** 60" support arm length reference

Step 3. Assembly

- N** frame only
- F** frame and screen fabric

Prices for Steps 1-3.

	N	F
R1441. 48	\$440	708
60	\$440	708

Step 4. Bracket Finish

- 8Q** folkstone grey + \$0
- LU** soft white + \$0
- CN** metallic champagne + \$0
- EH** metallic bronze + \$0
- MS** metallic silver + \$0

Step 5. Trim Finish

- 3G** brownstone + \$0
- 8Q** folkstone grey + \$0
- CL** cool grey neutral + \$0
- LU** soft white + \$0
- WL** sandstone + \$0
- WN** warm grey neutral + \$0

Step 6. Screen Fabric

For frame and screen fabric (F)
 See application chart and textiles list for fabric usage and numbers.
 First 2 digits of number indicate fabric line; remaining digit(s) indicate fabric color.

Price Category 1 + \$0

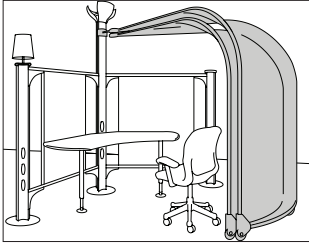
Step 7. Edge Band Fabric

For frame and screen fabric (F)
 See application chart and textiles list for fabric usage and numbers.
 First 2 digits of number indicate fabric line; remaining digit(s) indicate fabric color.

Price Category 1 + \$0

Nesting Rolling Screen

R1442.



Resolve® Infrastructure

Product Information

Description

These 2 screens attach to a tall pole on one end, arc over a workspace, and extend to the floor on the other end. They nest together or roll apart and move left and right to allow easy positioning for individual privacy requirements. Each fabric screen has a steel tube frame and color-matched wheels. They are available in 2 sizes and as a frame only or as a frame with standard fabrics. Attachment hardware is included.

Shipped knocked down.

The support arm length reference (48" or 60") gives the specifier an idea of the arc created when the rolling screen is used with either 48" or 60"-long support arms.

Notes

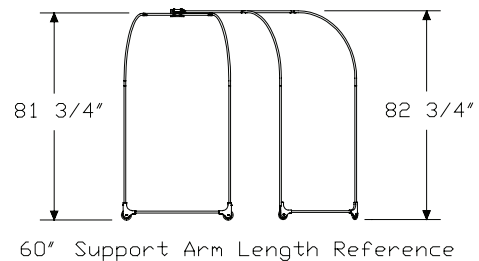
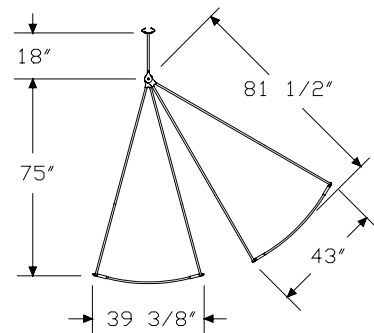
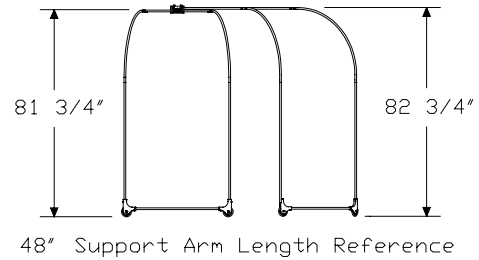
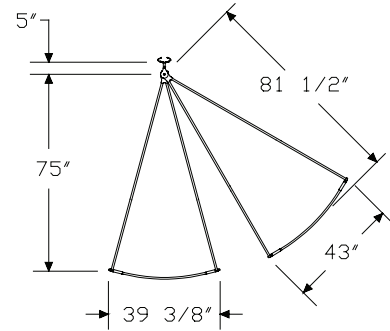
For accurate planning information, see dimensional drawing and

Resolve® Planning Guide.

Fabric is shipped separately from frame; fabric must be field installed on frame.

When replacement fabric is needed, order replacement fabric for rolling screen (R1444.) separately.

Dimensions



Nesting Rolling Screen *continued*

Specification Information

Step 1.

R1442.

Step 2. Support Arm Length Reference

48 48" support arm length reference

60 60" support arm length reference

Step 3. Assembly

N frame only

F frame and screen fabric

Prices for Steps 1-3.

	N	F
R1442. 48	\$879	1385
60	\$879	1385

Step 4. Bracket Finish

8Q folkstone grey +\$0

LU soft white +\$0

CN metallic champagne +\$0

EH metallic bronze +\$0

MS metallic silver +\$0

Step 5. Trim Finish

3G brownstone +\$0

8Q folkstone grey +\$0

CL cool grey neutral +\$0

LU soft white +\$0

WL sandstone +\$0

WN warm grey neutral +\$0

Step 6. Screen Fabric

For frame and screen fabric (F)

See application chart and textiles list for fabric usage and numbers.

First 2 digits of number indicate fabric line; remaining digit(s) indicate fabric color.

Price Category 1 +\$0

Step 7. Edge Band Fabric

For frame and screen fabric (F)

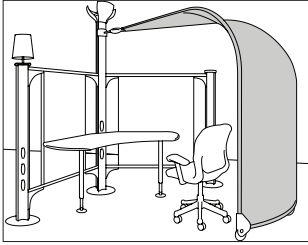
See application chart and textiles list for fabric usage and numbers.

First 2 digits of number indicate fabric line; remaining digit(s) indicate fabric color.

Price Category 1 +\$0

Replacement Fabric for Rolling Screen

R1444.



Resolve® Infrastructure

Product Information

Description

This screen fabric attaches to a rolling screen frame or a nesting rolling screen frame and replaces the existing fabric.

Notes

Order rolling screen frame (R1441.N) or nesting rolling screen frame (R1442.N) separately.

Specification Information

Step 1.

R1444.

Step 2. Screen Usage

- A** fabric for rolling screen or outside nesting rolling screen
- B** fabric for inside nesting rolling screen

Prices for Steps 1-2.

R1444. A	\$330
B	\$330

Step 3. Screen Fabric

See application chart and textiles list for fabric usage and numbers. First 2 digits of number indicate fabric line; remaining digit(s) indicate fabric color.

Price Category 1 + \$0

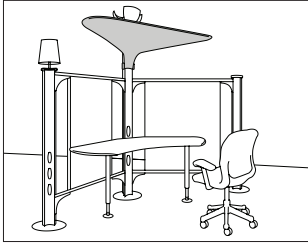
Step 4. Edge Band Fabric

See application chart and textiles list for fabric usage and numbers. First 2 digits of number indicate fabric line; remaining digit(s) indicate fabric color.

Price Category 1 + \$0

Canopy

R1430.



Product Information

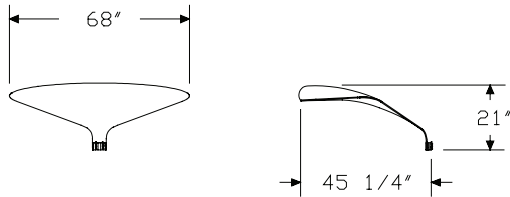
Description

This canopy attaches to a tall pole and creates an overhead boundary. It is available as a frame only or as a frame with standard fabrics. Attachment hardware is included. Shipped knocked down.

Notes

Fabric is shipped separately from frame; fabric must be field installed on frame.
When replacement fabric is needed, order replacement fabric for canopy (R1432.) separately.

Dimensions



Specification Information

Step 1.

R1430.

Step 2. Assembly

- N** frame only
- F** frame and canopy fabric

Prices for Steps 1-2.

R1430. N	\$286
F	\$386

Step 3. Bracket Finish

8Q	folkstone grey	+ \$0
LU	soft white	+ \$0
CN	metallic champagne	+ \$0
EH	metallic bronze	+ \$0
MS	metallic silver	+ \$0

Step 4. Trim Finish

3G	brownstone	+ \$0
8Q	folkstone grey	+ \$0
CL	cool grey neutral	+ \$0
LU	soft white	+ \$0
WL	sandstone	+ \$0
WN	warm grey neutral	+ \$0

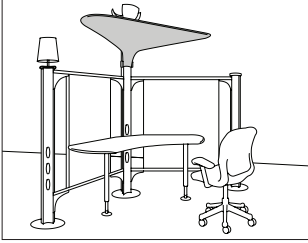
Step 5. Canopy Fabric

For frame and canopy fabric (F)
See application chart and textiles list for fabric usage and numbers.
First 2 digits of number indicate fabric line; remaining digit(s) indicate fabric color.
Price Category 1 + \$0

Step 6. Edge Band Fabric

For frame and canopy fabric (F)
See application chart and textiles list for fabric usage and numbers.
First 2 digits of number indicate fabric line; remaining digit(s) indicate fabric color.
Price Category 1 + \$0

Replacement Fabric for Canopy R1432.



Resolve® Infrastructure

Product Information

Description
 This canopy fabric attaches to a canopy frame and replaces the existing fabric.

Notes
 Order canopy frame (R1430.N) separately.

Specification Information

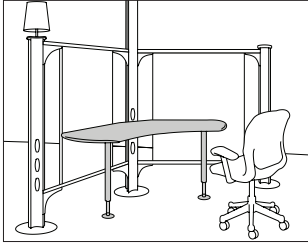
Step 1.
R1432. \$168

Step 2. Canopy Fabric
See application chart and textiles list for fabric usage and numbers. First 2 digits of number indicate fabric line; remaining digit(s) indicate fabric color.
 Price Category 1 +\$0

Step 3. Edge Band Fabric
See application chart and textiles list for fabric usage and numbers. First 2 digits of number indicate fabric line; remaining digit(s) indicate fabric color.
 Price Category 1 +\$0

Boomerang™ Work Surface

R2100.



Product Information

Description

This 120° curved work surface attaches to a tall or short pole in the rear corner and has 2 pin-adjustable legs with 1" adjustable glides on the front (user) side. It can be installed from 22" to 32" in height. The work surface has a laminate, formcoat®, or veneer finish. The 3/4"-thick laminate surface has a square thermoplastic edge that matches the top color; the 1"-thick formcoat surface has a soft-curved front with an eased front edge; the veneer surface has a 7/8"-thick, 15-ply Baltic birch core and edge. It is predrilled for a pencil drawer: the 48"-wide work surface is predrilled in the center position; the 60"-wide work surface is predrilled in the left, right, and center positions. The center of the work surface's back edge is predrilled for a cable manager. Attachment hardware is included.

The formcoat finish is available as opaque or fleck. The opaque finish is nontransparent and has a solid-color appearance; the fleck finish is a nontransparent solid color with tiny flecks.

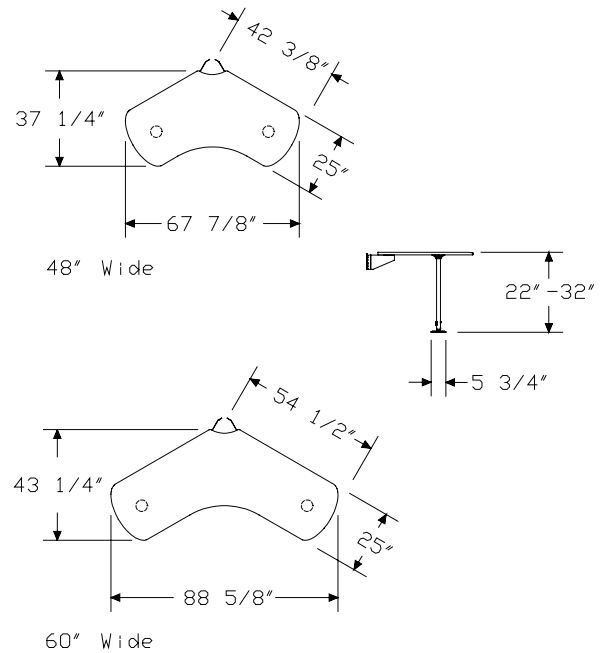
Notes

For support at left or right end of surface, order work surface bracket (R2190.) separately.

Order optional cable management products separately:

- Cable manager (R1364.)
- Cord holder (R1366.)

Dimensions



Resolve® Work Surfaces

Specification Information

Step 1.

R2100.

Step 2. Width

48 48" wide
60 60" wide

Step 3. Surface Material

L laminate
E formcoat®
W veneer A

Prices for Steps 1-3.

	L	E	W
R2100. 48	\$791	822	1333
60	\$952	989	1598

Step 4. Top Finish

Solid-Color Laminate

For laminate (L)

8Q folkstone grey +\$0
91 white +\$0
CL cool grey neutral +\$0
LU soft white +\$0
WL sandstone +\$0
WN warm grey neutral +\$0
X1 chalk white +\$0

Opaque Formcoat®

For formcoat® (E)

8Q folkstone grey +\$0
91 white +\$0
CL cool grey neutral +\$0
LU soft white +\$0
WL sandstone +\$0
WN warm grey neutral +\$0
X1 chalk white +\$0

Wood Veneer

For veneer (W)

	48	60
2U light brown walnut A	+\$110	140
40 dark brown walnut A	+\$110	140
ED aged cherry A	+\$110	140
EK medium red walnut A	+\$110	140
UL natural maple A	+\$110	140
UX walnut on cherry A	+\$110	140

Step 5. Bracket/Leg Finish

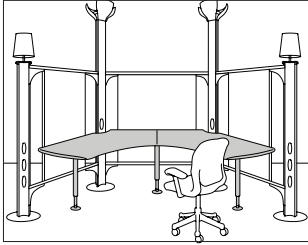
8Q folkstone grey +\$0
LU soft white +\$0
CN metallic champagne +\$10
EH metallic bronze +\$10
MS metallic silver +\$10

Step 6. Glide Finish

3G brownstone +\$0
8Q folkstone grey +\$0
CL cool grey neutral +\$0
LU soft white +\$0
WL sandstone +\$0
WN warm grey neutral +\$0

Extended Boomerang™ Work Surface

R2104.
R2105.



Product Information

Description

This 120° curved work surface attaches to 2 tall or short poles. It has 3 pin-adjustable legs with 1" height-adjustable glides. The work surface can be installed from 22" to 32" in height. It has 3 sides and a laminate, formcoat®, or veneer finish. The 3/4"-thick laminate surface has a square thermoplastic edge that matches the top color; the 1"-thick formcoat surface has a soft-curved front with an eased front edge; the veneer surface has a 7/8"-thick, 15-ply Baltic birch core and edge. It is predrilled for a pencil drawer: the 48"-wide work surface is predrilled in the center position; the 60"-wide work surface is predrilled on the left and right sides. The center of the work surface's back edge is predrilled for a cable manager. Attachment hardware is included. Shipped knocked down.

The formcoat finish is available as opaque or fleck. The opaque finish is nontransparent and has a solid-color appearance; the fleck finish is a nontransparent solid color with tiny flecks.

Notes

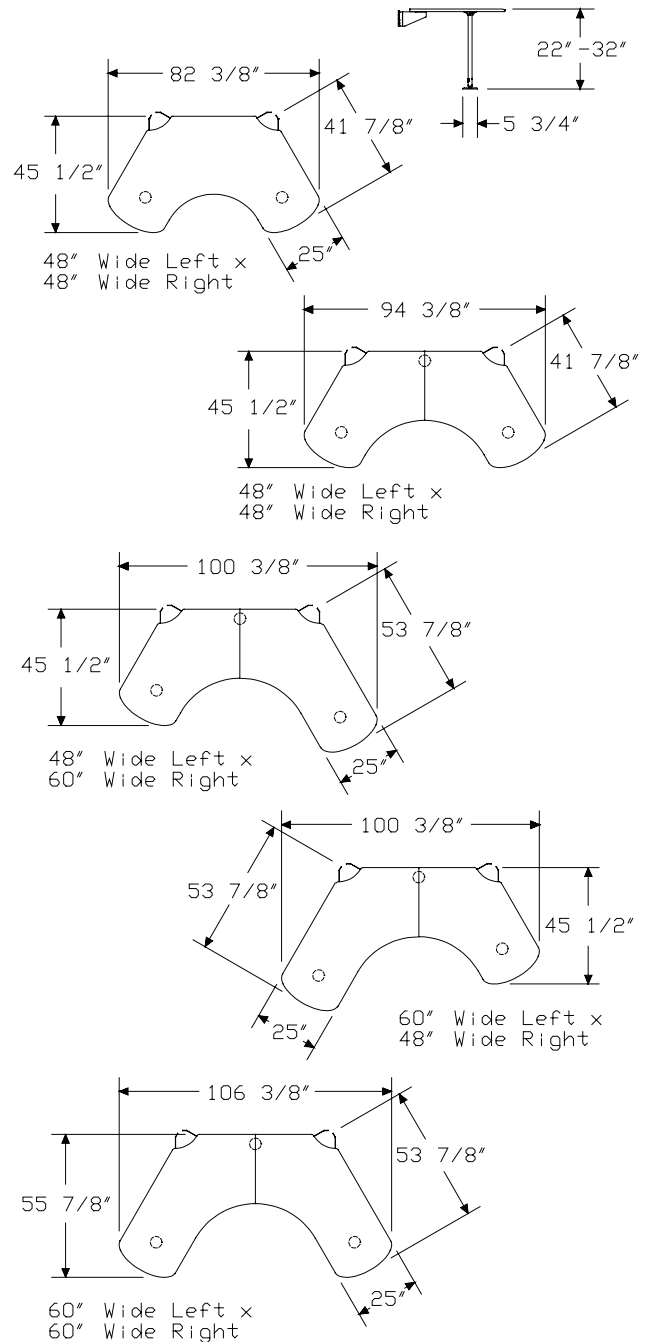
48"-wide left × 48"-wide right work surface with 48" center width (R2104.4848) has 2 pin-adjustable legs.

For support at left or right end of surface, order work surface bracket (R2190.) separately.

Order optional cable management products separately:

- Cable manager (R1364.)
- Cord holder (R1366.)

Dimensions



Extended Boomerang™ Work Surface *continued*

Resolve® Work Surfaces

Specification Information

Step 1.

R210

Step 2. Center Width

- 4.** 48" center width
- 5.** 60" center width

Step 3. Extension Widths

For 48" center width (4.)

4848 48" wide left x 48" wide right

For 60" center width (5.)

4848 48" wide left x 48" wide right

4860 48" wide left x 60" wide right

6048 60" wide left x 48" wide right

6060 60" wide left x 60" wide right

Step 4. Surface Material

- L** laminate
- E** formcoat®
- W** veneer A

Prices for Steps 1-4.

	L	E	W
R2104. 4848	\$1358	1400	2178
R2105. 4848	\$1493	1506	2416
4860	\$1572	1611	2508
6048	\$1565	1611	2584
6060	\$1629	1677	2676

Step 5. Top Finish

Solid-Color Laminate

For laminate (L)

- 8Q** folkstone grey +\$0
- 91** white +\$0
- CL** cool grey neutral +\$0
- LU** soft white +\$0
- WL** sandstone +\$0
- WN** warm grey neutral +\$0
- X1** chalk white +\$0

Opaque Formcoat®

For formcoat® (E)

- 8Q** folkstone grey +\$0
- 91** white +\$0
- CL** cool grey neutral +\$0
- LU** soft white +\$0
- WL** sandstone +\$0
- WN** warm grey neutral +\$0
- X1** chalk white +\$0

Wood Veneer

For veneer (W)

		4. 5.4848	5.4860	5.6048	5.6060
2U light brown	+\$200	220	230	230	240
walnut A					
40 dark brown	+\$200	220	230	230	240
walnut A					
ED aged cherry A	+\$200	220	230	230	240
EK medium red	+\$200	220	230	230	240
walnut A					
UL natural maple A	+\$200	220	230	230	240
UX walnut on cherry A	+\$200	220	230	230	240

Step 6. Bracket/Leg Finish

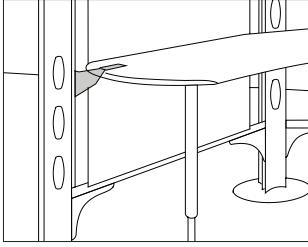
- 8Q** folkstone grey +\$0
- LU** soft white +\$0
- CN** metallic champagne +\$10
- EH** metallic bronze +\$10
- MS** metallic silver +\$10

Step 7. Glide Finish

- 3G** brownstone +\$0
- 8Q** folkstone grey +\$0
- CL** cool grey neutral +\$0
- LU** soft white +\$0
- WL** sandstone +\$0
- WN** warm grey neutral +\$0

Work Surface Bracket

R2190.



Product Information

Description

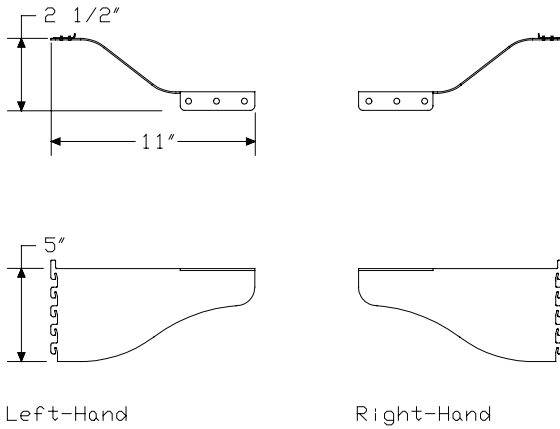
This bracket mounts to the underside of a boomerang™ work surface and an outbound tall, short, or in-line pole. Attachment hardware is included.

Notes

Use bracket with boomerang work surface (R2100.) or extended boomerang work surface (R2104. or R2105.).

Specify left or right orientation with user facing the boomerang surface. Boomerang surface width must match adjacent support arm length (4' boomerang surface on 4' support arm; 5' boomerang surface on 5' support arm).

Dimensions



Specification Information

Step 1.

R2190.

Step 2. Position

- L** left-hand support
- R** right-hand support

Prices for Steps 1-2.

R2190. L	\$30
R	\$30

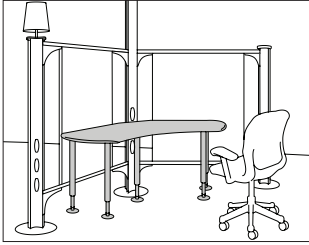
Step 3. Finish

8Q	folkstone grey	+\$0
LU	soft white	+\$0
CN	metallic champagne	+\$5
EH	metallic bronze	+\$5
MS	metallic silver	+\$5

Resolve® Work Surfaces

Freestanding Boomerang™ Work Surface R2650.

Resolve® Work Surfaces



Product Information

Description

This freestanding 120° curved work surface has 5 pin-adjustable legs with adjustable glides. It can be installed from 22" to 32" in height. The work surface has a laminate, formcoat®, or veneer finish. The ¾"-thick laminate surface has a square thermoplastic edge that matches the top color; the 1"-thick formcoat surface has a soft-curved front with an eased front edge; the veneer surface has a 7/8"-thick, 15-ply Baltic birch core and edge. It is predrilled for a pencil drawer: the 48"-wide work surface is predrilled in the center position; the 60"-wide work surface is predrilled in the left, right, and center positions. The center of the work surface's back edge is predrilled for a cable manager.

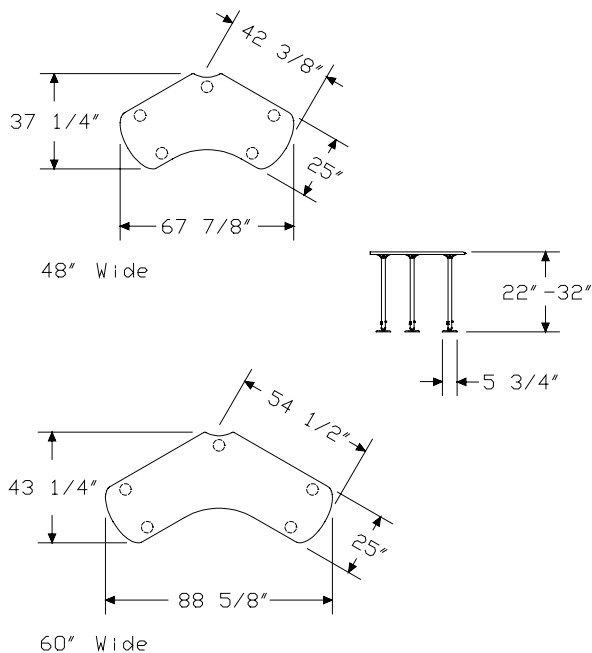
The formcoat finish is available as opaque or fleck. The opaque finish is nontransparent and has a solid-color appearance; the fleck finish is a nontransparent solid color with tiny flecks.

Notes

Order optional cable management products separately:

- Cable manager (R1364.)
- Cord holder (R1366.)

Dimensions



Specification Information

Step 1.

R2650.

Step 2. Width

48	48" wide
60	60" wide

Step 3. Surface Material

L	laminate
E	formcoat®
W	veneer A

Prices for Steps 1-3.

	L	E	W
R2650. 48	\$943	981	1309
60	\$1101	1142	1620

Step 4. Top Finish

Solid-Color Laminate

For laminate (L)

8Q	folkstone grey	+\$0
91	white	+\$0
CL	cool grey neutral	+\$0
LU	soft white	+\$0
WL	sandstone	+\$0
WN	warm grey neutral	+\$0
X1	chalk white	+\$0

Opaque Formcoat®

For formcoat® (E)

8Q	folkstone grey	+\$0
91	white	+\$0
CL	cool grey neutral	+\$0
LU	soft white	+\$0
WL	sandstone	+\$0
WN	warm grey neutral	+\$0
X1	chalk white	+\$0

Freestanding Boomerang™ Work Surface *continued*

Wood Veneer

For veneer (W)

		48	60
2U	light brown walnut	+\$140	160
40	dark brown walnut	+\$140	160
ED	aged cherry A	+\$140	160
EK	medium red walnut	+\$140	160
UL	natural maple A	+\$140	160
UX	walnut on cherry	+\$140	160

Step 5. Leg Finish

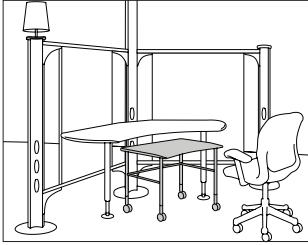
8Q	folkstone grey	+\$0
LU	soft white	+\$0
CN	metallic champagne	+\$10
EH	metallic bronze	+\$10
MS	metallic silver	+\$10

Step 6. Glide Finish

3G	brownstone	+\$0
8Q	folkstone grey	+\$0
CL	cool grey neutral	+\$0
LU	soft white	+\$0
WL	sandstone	+\$0
WN	warm grey neutral	+\$0

Input Table

R2600.



Resolve® Work Surfaces

Product Information

Description

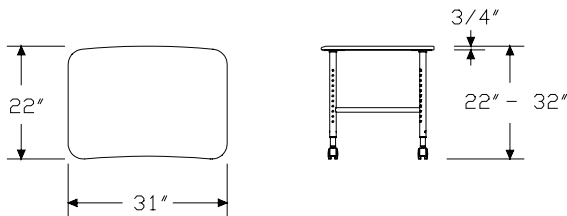
This mobile table holds a keyboard, mouse, or other work items. It has 2 locking casters in the front (user side) and 2 nonlocking casters in the rear. The seated-height table has pin-adjustable legs that adjust from 22" to 32" high. The table holds up to 25 pounds and has a laminate, formcoat®, or veneer finish. The laminate surface has a square thermoplastic edge that matches the top color; the formcoat surface has an eased front edge; the veneer surface has a 7/8"-thick, 15-ply Baltic birch core and edge. Casters are black.

The formcoat finish is available as opaque or fleck. The opaque finish is nontransparent and has a solid-color appearance; the fleck finish is a nontransparent solid color with tiny flecks.

Notes

Order optional swivel tray set (R3620.) separately.

Dimensions



Specification Information

Step 1.

R2600.

Step 2. Height

A seated height

Step 3. Surface Material

L laminate

E formcoat®

W veneer **A**

Prices for Steps 1-3.

	L	E	W
R2600. A	\$613	626	942

Step 4. Top Finish

Solid-Color Laminate

For laminate (L)

8Q	folkstone grey	+\$0
91	white	+\$0
CL	cool grey neutral	+\$0
LU	soft white	+\$0
WL	sandstone	+\$0
WN	warm grey neutral	+\$0
X1	chalk white	+\$0

Opaque Formcoat®

For formcoat® (E)

8Q	folkstone grey	+\$0
91	white	+\$0
CL	cool grey neutral	+\$0
LU	soft white	+\$0
WL	sandstone	+\$0
WN	warm grey neutral	+\$0
X1	chalk white	+\$0

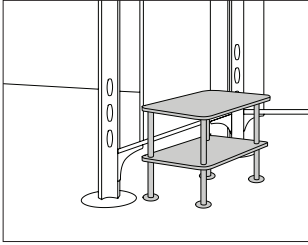
Wood Veneer

For veneer (W)

2U	light brown walnut <input type="checkbox"/> A	+\$85
40	dark brown walnut <input type="checkbox"/> A	+\$85
ED	aged cherry <input type="checkbox"/> A	+\$85
EK	medium red walnut <input type="checkbox"/> A	+\$85
UL	natural maple <input type="checkbox"/> A	+\$85
UX	walnut on cherry <input type="checkbox"/> A	+\$85

Input Table *continued*

Step 5. Leg Finish		
8Q	folkstone grey	+\$0
LU	soft white	+\$0
CN	metallic champagne	+\$10
EH	metallic bronze	+\$10
MS	metallic silver	+\$10



Product Information

Description

This 28"-high rectangular table holds a printer, scanner, fax machine, or other work items, and includes a secondary shelf for additional storage. The tabletop and shelf are 22" deep x 31" wide. The table has 4 legs with glides or casters and a laminate, formcoat®, or veneer finish. The laminate surface has a square thermoplastic edge that matches the top color; the formcoat surface has a square front edge; the veneer surface has a 7/8"-thick, 15-ply Baltic birch core and edge. Glide finishes accent the leg finish; casters are black. Shipped knocked down.

The formcoat finish is available as opaque or fleck. The opaque finish is nontransparent and has a solid-color appearance; the fleck finish is a nontransparent solid color with tiny flecks.

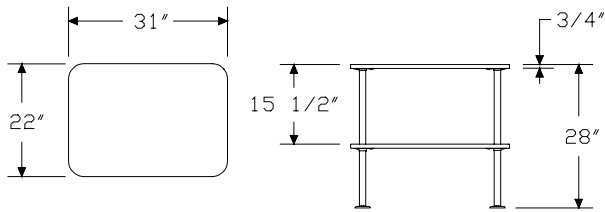
Notes

Order optional swivel tray set (R3620.) separately.

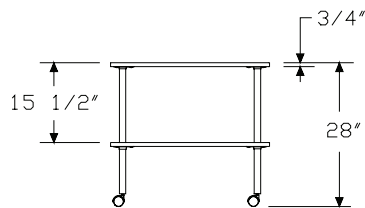
Order optional cable management products separately:

- Cable bag (R1365.)
- Cable manager (R1364.)
- Cord holder (R1366.)

Dimensions



Glides



Casters

Specification Information

Step 1.

R2720.

Step 2. Casters/Glides

- A** glides
- B** casters

Step 3. Surface Material

- L** laminate
- T** formcoat®
- W** veneer A

Prices for Steps 1-3.

	L	T	W
R2720. A	\$682	697	1029
B	\$682	697	1029

Step 4. Top/Shelf Finish

Solid-Color Laminate

For laminate (L)

8Q	folkstone grey	+\$0
91	white	+\$0
CL	cool grey neutral	+\$0
LU	soft white	+\$0
WL	sandstone	+\$0
WN	warm grey neutral	+\$0
X1	chalk white	+\$0

Opaque Formcoat®

For formcoat® (T)

8Q	folkstone grey	+\$0
91	white	+\$0
CL	cool grey neutral	+\$0
LU	soft white	+\$0
WL	sandstone	+\$0
WN	warm grey neutral	+\$0
X1	chalk white	+\$0

For veneer (W)

2U	light brown walnut	+\$100
40	dark brown walnut	+\$100
ED	aged cherry <input type="checkbox"/> A	+\$100
EK	medium red walnut	+\$100
UL	natural maple <input type="checkbox"/> A	+\$100
UX	walnut on cherry	+\$100

Equipment Table *continued*

Step 5. Leg Finish

8Q	folkstone grey	+\$0
LU	soft white	+\$0
CN	metallic champagne	+\$10
EH	metallic bronze	+\$10
MS	metallic silver	+\$10

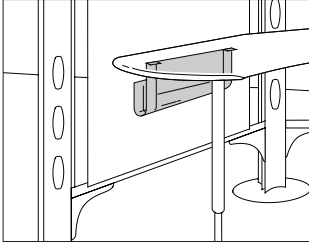
Step 6. Glide Finish

For glides (A)

3G	brownstone	+\$0
8Q	folkstone grey	+\$0
CL	cool grey neutral	+\$0
LU	soft white	+\$0
WL	sandstone	+\$0
WN	warm grey neutral	+\$0

Cable Manager

R1364.



Product Information

Description

This 18"-wide cable manager hangs from the underside of a work surface. It holds and routes cords and cables and can hold a multi-outlet strip or other items. 2 metal brackets provide support to the mesh holder. Mesh color and brackets are grey. Attachment hardware is included.

Dimensions

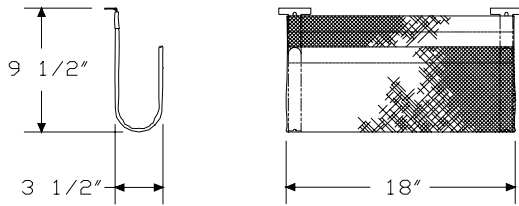
Specification Information

Step 1.

R1364.

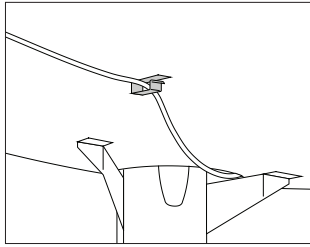
\$90

Resolve® Work Surfaces



Cord Holder

R1366.

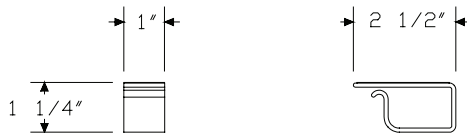


Product Information

Description

This plastic holder attaches to the underside of a work surface to manage cords and cables. It attaches with heavy-duty double-sided tape. Color is folkstone grey. Package contains 6.

Dimensions



Specification Information

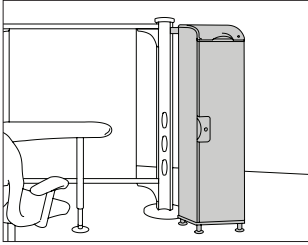
Step 1.

R1366.

\$27

Cabinet, Pole Attached

R3211.



Resolve® Storage

Product Information

Description

This 48"- or 60"-high cabinet attaches to a tall or short pole. It has 4 legs with 1" height-adjustable glides and several interior components including shelves, 6"-deep drawers, and file frames for letter-size hanging files. The interior components are available in prearranged configurations or can be ordered separately. The top of the cabinet includes a lockable lid for secured storage of personal items. The cabinet has a lockable, steel door. Attachment hardware is included. 48" cabinet attaches to a tall or short pole. 60" cabinet attaches to a 60"-high short pole or to a tall pole (60" cabinet cannot attach to a 48"-high short pole). Cabinet must attach to pole for stability; it cannot be used as a freestanding unit.

Notes

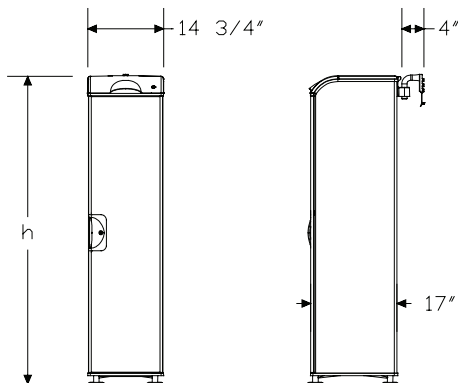
To order individual components, specify N for interior configuration and order components separately:

- Cabinet drawer (R3232.)
- Cabinet file frame (R3231.)
- Cabinet shelf (R3230.)

To convert pole-attached cabinet to arm-attached cabinet, order cabinet arm attachment bracket (R3294.) separately.

For keyed-alike locks, order lock plugs separately. See Keyed-Alike Information in Appendices.

Dimensions



Specification Information

Step 1.

R3211.

Step 2. Cabinet Height

48	48"-high cabinet
60	60"-high cabinet

Step 3. Door

L	left-hinged door
R	right-hinged door

Step 4. Interior Configuration

For 48"-high cabinet (48)

N	no interior components
A	2 shelves
B	4 file frames
C	2 file frames, 1 shelf, 1 drawer
D	2 file frames, 1 shelf, 2 drawers

For 60"-high cabinet (60)

N	no interior components
A	3 shelves
B	5 file frames
C	4 file frames, 1 shelf, 1 drawer
D	3 file frames, 1 shelf, 3 drawers
E	2 file frames, 1 shelf, 3 drawers
F	2 file frames, 1 shelf, 1 drawer

Prices for Steps 1-4.

	N	A	B	C	D	E
R3211. 48 L	\$868	929	1112	1081	1143	—
R	\$868	929	1112	1081	1143	—
60 L	\$964	1056	1271	1299	1362	1299
R	\$964	1056	1271	1299	1362	1299
						F
R3211. 60 L						\$1178
R						\$1178

Step 5. Cabinet/Door Finish

8Q	folkstone grey	+\$0
LU	soft white	+\$0
CN	metallic champagne	+\$50
EH	metallic bronze	+\$50
MS	metallic silver	+\$50

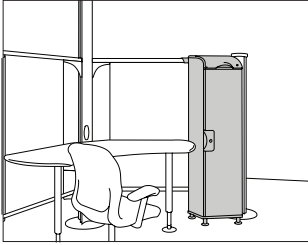
Cabinet, Pole Attached *continued*

Step 6. Lid/Top/Interior/Base Finish		
3G	brownstone	+\$0
8Q	folkstone grey	+\$0
CL	cool grey neutral	+\$0
LU	soft white	+\$0
WL	sandstone	+\$0
WN	warm grey neutral	+\$0

Step 7. Lock Option		
KA	keyed alike	+\$0
KD	keyed differently	+\$0

Cabinet, Arm Attached

R3221.
R3222.



Resolve® Storage

Product Information

Description

This 48"- or 60"-high cabinet has 4 legs with 1" height-adjustable glides and attaches to an upper support arm. It has several interior components including shelves, 6"-deep drawers, and file frames for letter-size hanging files. The interior components are available in prearranged configurations or can be ordered separately. The top of the cabinet includes a lockable lid for secured storage of personal items. The cabinet has a lockable, steel door. Attachment hardware is included.

48" cabinet attaches to a 48" upper support arm height; 60" cabinet attaches to a 48", 60", or 69" upper support arm height. Cabinet must attach to support arm for stability; it cannot be used as a freestanding unit.

Notes

Specify height of cabinet's attachment bracket to match height of upper support arm.

To order individual components, specify N for interior configuration and order components separately:

- Cabinet drawer (R3232.)
- Cabinet file frame (R3231.)
- Cabinet shelf (R3230.)

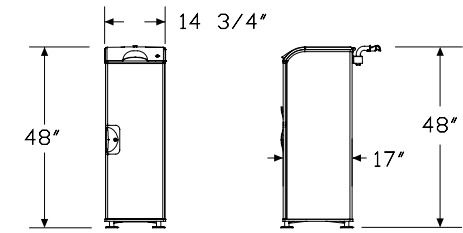
When placing 2 cabinets back to back, specify N (no attachment bracket) for attachment bracket. Order cabinet back-to-back attachment bracket (R3291.) separately.

To convert arm-attached cabinet to pole-attached cabinet, order cabinet pole attachment bracket (R3293.) separately.

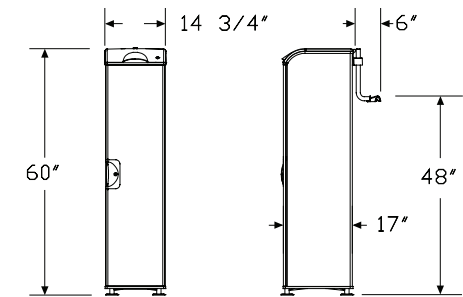
To attach cabinet to different upper support arm height, order cabinet arm attachment bracket (R3294.) separately.

For keyed-alike locks, order lock plugs separately. See Keyed-Alike Information in Appendices.

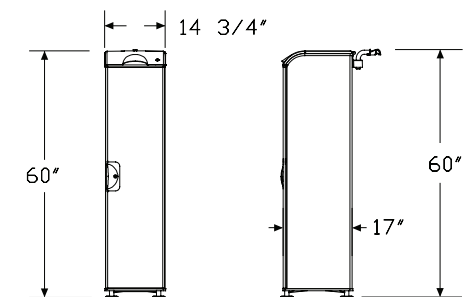
Dimensions



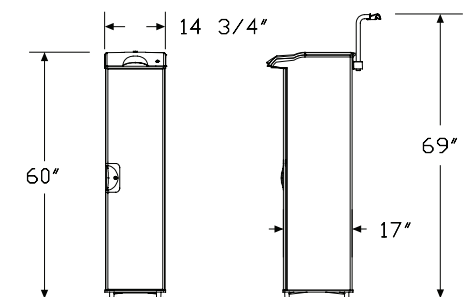
48" Upper Support Arm Height



48" Upper Support Arm Height



60" Upper Support Arm Height



69" Upper Support Arm Height

Cabinet, Arm Attached *continued*

Specification Information

Step 1.

R322

Step 2. Cabinet Height

- 1. 48"-high cabinet
- 2. 60"-high cabinet

Step 3. Upper Support Arm Height

For 48"-high cabinet (1.)

48 48" upper support arm height

For 60"-high cabinet (2.)

- 48** 48" upper support arm height
- 60** 60" upper support arm height
- 69** 69" upper support arm height

Step 4. Attachment Bracket

- S** single bracket
- N** no attachment bracket

Step 5. Door

- L** left-hinged door
- R** right-hinged door

Step 6. Interior Configuration

For 48"-high cabinet (1.)

- N** no interior components
- A** 2 shelves
- B** 4 file frames
- C** 2 file frames, 1 shelf, 1 drawer
- D** 2 file frames, 1 shelf, 2 drawers

For 60"-high cabinet (2.)

- N** no interior components
- A** 3 shelves
- B** 5 file frames
- C** 4 file frames, 1 shelf, 1 drawer
- D** 3 file frames, 1 shelf, 3 drawers
- E** 2 file frames, 1 shelf, 3 drawers
- F** 2 file frames, 1 shelf, 1 drawer

Prices for Steps 1-6.

	LN	LA	LB	LC	LD	LE
R3221. 48 S	\$868	929	1112	1081	1143	—
N	\$831	892	1076	1045	1106	—

	LF	RN	RA	RB	RC	RD
R3221. 48 S	—	\$868	929	1112	1081	1143
N	—	\$831	892	1076	1045	1106

	LN	LA	LB	LC	LD	LE
R3222. 48 S	\$964	1056	1271	1299	1362	1299
N	\$929	1020	1233	1265	1325	1265

60 S	\$964	1056	1271	1299	1362	1299
N	\$929	1020	1233	1265	1325	1265
69 S	\$964	1056	1271	1299	1362	1299
N	\$929	1020	1233	1265	1325	1265

	LF	RN	RA	RB	RC	RD
R3222. 48 S	\$1178	964	1056	1271	1299	1362
N	\$1143	929	1020	1233	1265	1325
60 S	\$1178	964	1056	1271	1299	1362
N	\$1143	929	1020	1233	1265	1325
69 S	\$1178	964	1056	1271	1299	1362
N	\$1143	929	1020	1233	1265	1325

	RE	RF
R3222. 48 S	\$1299	1178
N	\$1265	1143
60 S	\$1299	1178
N	\$1265	1143
69 S	\$1299	1178
N	\$1265	1143

Step 7. Cabinet/Door Finish

8Q	folkstone grey	+\$0
LU	soft white	+\$0
CN	metallic champagne	+\$50
EH	metallic bronze	+\$50
MS	metallic silver	+\$50

Step 8. Lid/Top/Interior/Base Finish

3G	brownstone	+\$0
8Q	folkstone grey	+\$0
CL	cool grey neutral	+\$0
LU	soft white	+\$0
WL	sandstone	+\$0
WN	warm grey neutral	+\$0

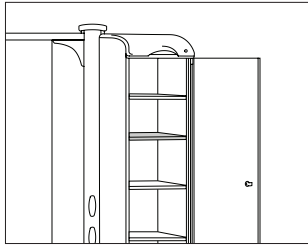
Resolve® Storage

Step 9. Lock Option		
KA	keyed alike	+\$0
KD	keyed differently	+\$0

Resolve® Storage

Cabinet Shelf

R3230.

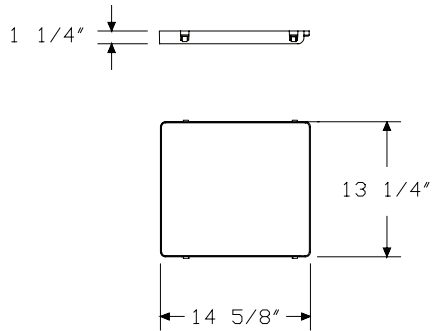


Product Information

Description

This shelf fits inside a pole- or arm-attached cabinet and stores books, binders, and other items. It adjusts vertically in 2" increments.

Dimensions



Specification Information

Step 1.

R3230. \$55

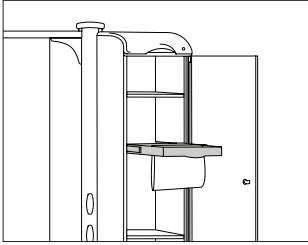
Step 2. Finish

3G	brownstone	+\$0
8Q	folkstone grey	+\$0
CL	cool grey neutral	+\$0
LU	soft white	+\$0
WL	sandstone	+\$0
WN	warm grey neutral	+\$0

Resolve® Storage

Cabinet File Frame

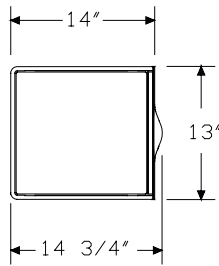
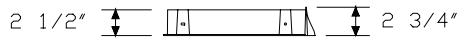
R3231.



Product Information

Description
 This file frame fits inside a pole- or arm-attached cabinet and holds letter-size hanging files. It adjusts vertically in 2" increments.

Dimensions



Resolve® Storage

Specification Information

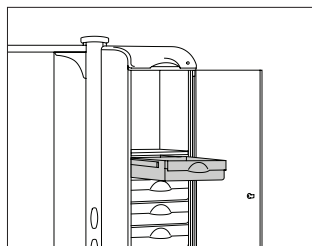
Step 1.
R3231. \$137

Step 2. Finish

3G	brownstone	+\$0
8Q	folkstone grey	+\$0
CL	cool grey neutral	+\$0
LU	soft white	+\$0
WL	sandstone	+\$0
WN	warm grey neutral	+\$0

Cabinet Drawer

R3232.

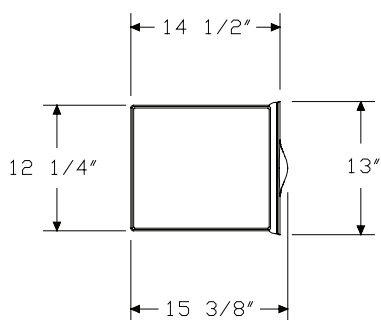


Product Information

Description

This 6"-high drawer fits inside a pole- or arm-attached cabinet and holds papers, supplies, and other small items. It adjusts vertically in 2" increments.

Dimensions



Specification Information

Step 1.

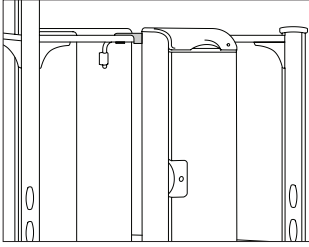
R3232. \$164

Step 2. Finish

3G	brownstone	+\$0
8Q	folkstone grey	+\$0
CL	cool grey neutral	+\$0
LU	soft white	+\$0
WL	sandstone	+\$0
WN	warm grey neutral	+\$0

Resolve® Storage

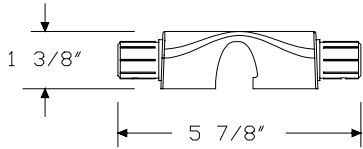
Back-to-Back Attachment Bracket, R3291.
Cabinets



Product Information

Description
This bracket attaches 2 arm-attached cabinets back to back. 1 bracket is required for each application.

Dimensions



Specification Information

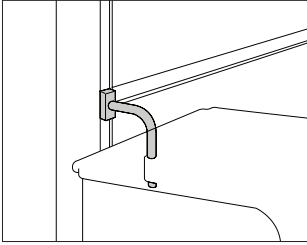
Step 1.
R3291. \$73

Step 2. Finish

8Q	folkstone grey	+\$0
LU	soft white	+\$0
CN	metallic champagne	+\$0
EH	metallic bronze	+\$0
MS	metallic silver	+\$0

Resolve® Storage

Pole Attachment Bracket, Cabinet R3293.

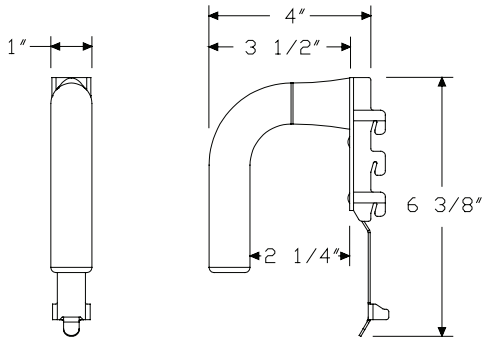


Product Information

Description

This bracket converts an arm-attached cabinet to a pole-attached cabinet.

Dimensions



Specification Information

Step 1.

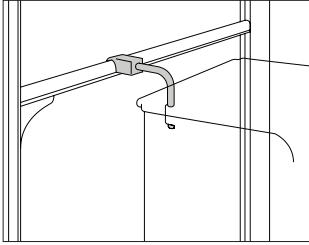
R3293.60 \$98

Step 2. Finish

8Q	folkstone grey	+\$0
CN	metallic champagne	+\$0
EH	metallic bronze	+\$0
LU	soft white	+\$0
MS	metallic silver	+\$0

Resolve® Storage

Arm Attachment Bracket, Cabinet R3294.



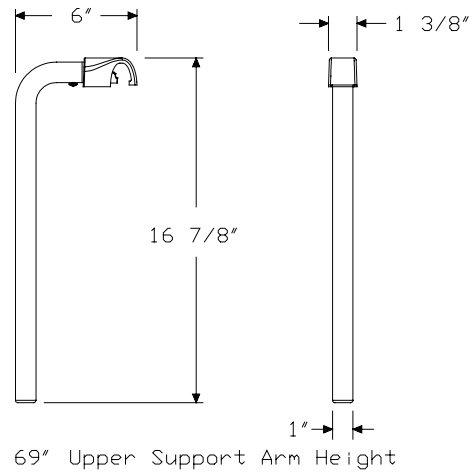
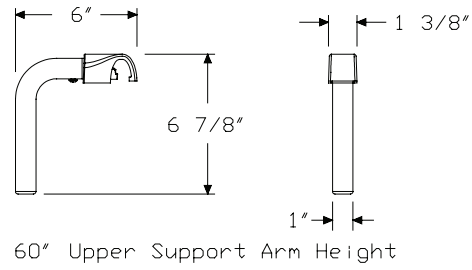
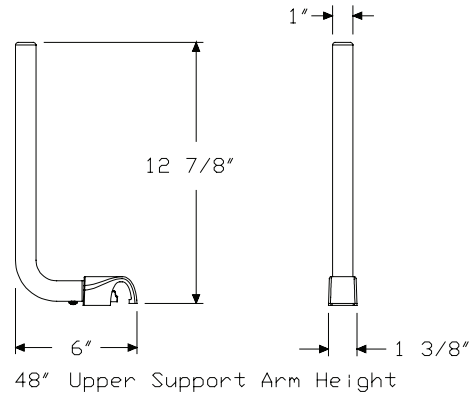
Product Information

Description

This bracket converts a pole-attached cabinet to an arm-attached cabinet. It also can change an existing arm-attached cabinet's attachment height.

Resolve® Storage

Dimensions



Arm Attachment Bracket, Cabinet

continued

Specification Information

Step 1.

R3294.

Step 2. Upper Support Arm Height

48 48" upper support arm height

60 60" upper support arm height

69 69" upper support arm height

Prices for Steps 1-2.

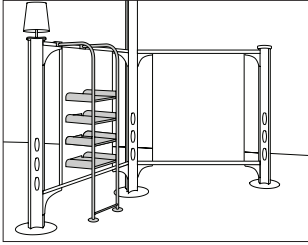
R3294. 48	\$98
60	\$96
69	\$93

Step 3. Finish

8Q folkstone grey	+\$0
LU soft white	+\$0
CN metallic champagne	+\$0
EH metallic bronze	+\$0
MS metallic silver	+\$0

Ladder Shelf

R3312.



Product Information

Description

This storage unit has adjustable, open shelves and attaches to an upper support arm. It holds binders, books, reference materials, and other items. The ladder shelf has two 2½" height-adjustable glides. Attachment hardware is included.

The 48"-high unit includes 3 shelves; the 60"-high unit includes 4 shelves; and the 69"-high unit includes 5 shelves. The shelves adjust vertically in 1" increments and can be specified with 3½"- or 6"-high shelf sides.

Notes

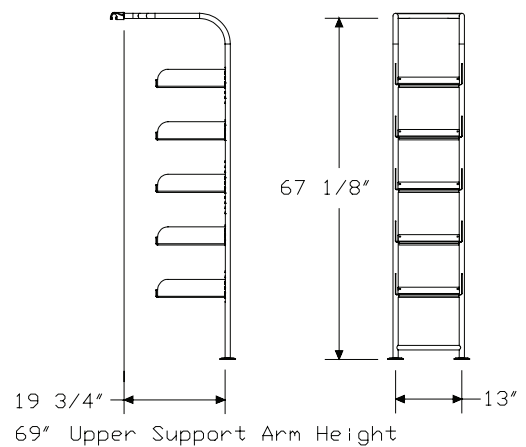
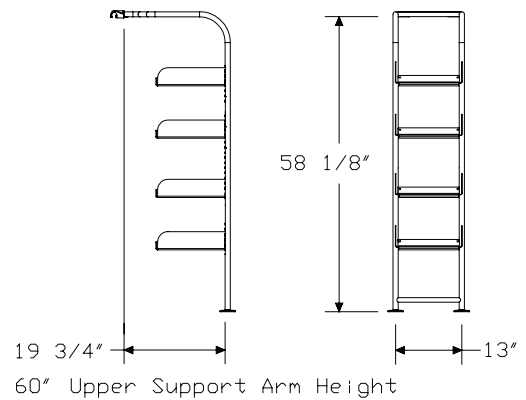
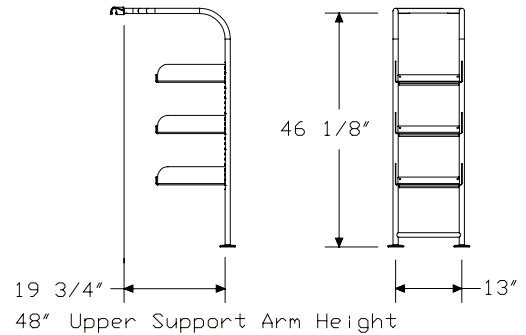
Specify height of ladder shelf's attachment bracket to match height of upper support arm.

When placing 2 ladder shelves back to back, specify N (no attachment bracket) for attachment bracket. Order ladder shelf back-to-back attachment bracket (R3391.) separately.

Order optional add-on ladder shelves (R3320.) separately.

Resolve® Storage

Dimensions



Ladder Shelf *continued*

Specification Information

Step 1.

R3312.

Step 2. Upper Support Arm Height

- 48** 48" upper support arm height
- 60** 60" upper support arm height
- 69** 69" upper support arm height

Step 3. Shelf Height

- 3** 3½"-high shelf
- 6** 6"-high shelf

Step 4. Attachment Bracket

- S** single bracket
- N** no attachment bracket

Prices for Steps 1-4.

	S	N
R3312. 48 3	\$560	497
6	\$694	630
60 3	\$658	593
6	\$826	765
69 3	\$755	694
6	\$934	872

Step 5. Frame/Shelf Finish

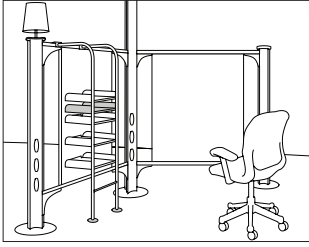
- 8Q** folkstone grey + \$0
- LU** soft white + \$0
- CN** metallic champagne + \$40
- EH** metallic bronze + \$40
- MS** metallic silver + \$40

Step 6. Base/Glide Finish

- 3G** brownstone + \$0
- 8Q** folkstone grey + \$0
- CL** cool grey neutral + \$0
- LU** soft white + \$0
- WL** sandstone + \$0
- WN** warm grey neutral + \$0

Add-On Ladder Shelf

R3320.



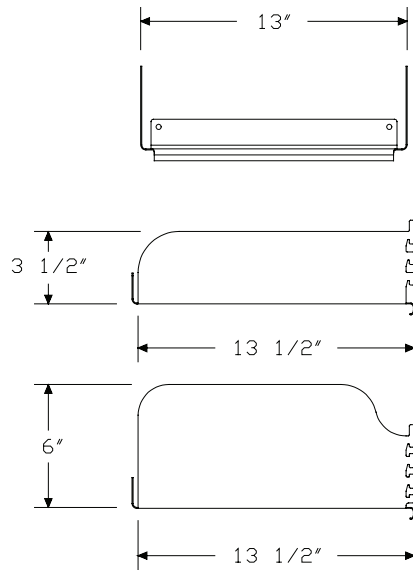
Product Information

Description

This shelf can be added to a ladder shelf for additional shelving. It adjusts vertically in 1" increments and can be specified with 3 1/2"- or 6"-high shelf sides.

Dimensions

Resolve® Storage



Specification Information

Step 1.

R3320.

Step 2. Shelf Height

- 3** 3 1/2"-high shelf
- 6** 6"-high shelf

Prices for Steps 1-2.

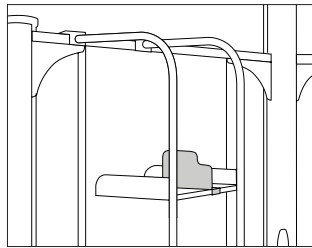
R3320. 3	\$84
6	\$112

Step 3. Finish

8Q	folkstone grey	+\$0
LU	soft white	+\$0
CN	metallic champagne	+\$10
EH	metallic bronze	+\$10
MS	metallic silver	+\$10

Ladder Shelf Divider

R3390.

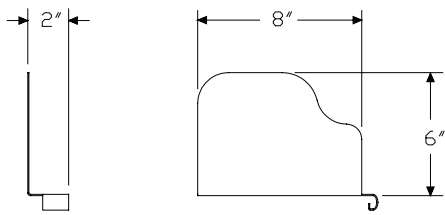


Product Information

Description

This shelf divider attaches to a ladder shelf or add-on ladder shelf to separate or support binders, books, reference materials, and other items. Package contains 6.

Dimensions



Specification Information

Step 1.

R3390. \$312

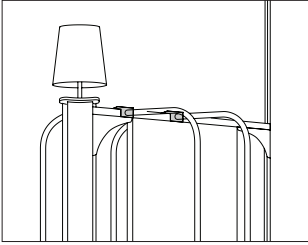
Step 2. Finish

8Q	folkstone grey	+\$0
LU	soft white	+\$0
CN	metallic champagne	+\$10
EH	metallic bronze	+\$10
MS	metallic silver	+\$10

Resolve® Storage

Back-to-Back Attachment
Brackets, Ladder Shelves

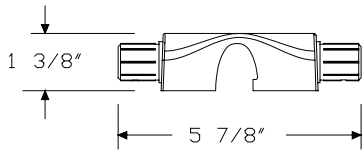
R3391.



Product Information

Description
This bracket attaches 2 ladder shelves back to back. 2 brackets are required for each application. Package contains 2.

Dimensions



Specification Information

Step 1.
R3391. \$99

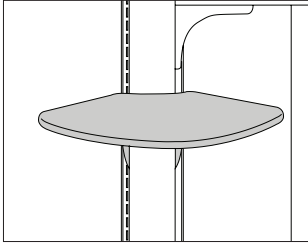
Step 2. Finish

8Q	folkstone grey	+\$0
LU	soft white	+\$0
CN	metallic champagne	+\$0
EH	metallic bronze	+\$0
MS	metallic silver	+\$0

Resolve® Storage

Pole Shelf

R7310.



Product Information

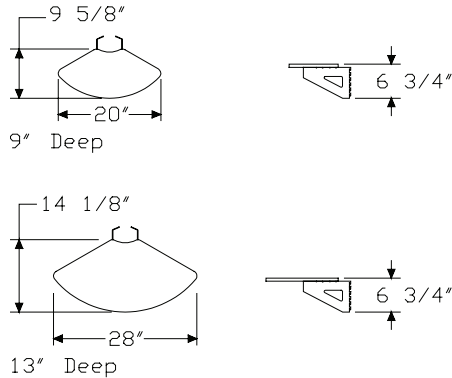
Description

This shelf attaches to a tall or short pole and holds display items, small electronics, and other items. It is available in 2 sizes: the 9"-deep shelf holds 25 pounds; the 13"-deep shelf holds up to 50 pounds. The shelf has a laminate or formcoat® finish. Attachment brackets are included. The formcoat finish is available as opaque or fleck. The opaque finish is nontransparent and has a solid-color appearance; the fleck finish is a nontransparent solid color with tiny flecks. The veneer shelf has a 1/2"-thick, 9-ply Baltic birch core and edge.

Notes

Order optional bud vase (R7421.) separately.

Dimensions



Specification Information

Step 1.

R7310.

Step 2. Depth

- 09** 9" deep
- 13** 13" deep

Step 3. Surface Material

- L** laminate
- T** formcoat®
- W** veneer

Prices for Steps 1-3.

	L	T	W
R7310. 09	\$195	179	298
13	\$216	195	327

Step 4. Shelf Finish

Solid-Color Laminate

For laminate (L)

8Q	folkstone grey	+\$0
91	white	+\$0
CL	cool grey neutral	+\$0
LU	soft white	+\$0
WL	sandstone	+\$0
WN	warm grey neutral	+\$0
X1	chalk white	+\$0

Opaque Formcoat®

For formcoat® (T)

8Q	folkstone grey	+\$0
91	white	+\$0
CL	cool grey neutral	+\$0
LU	soft white	+\$0
WL	sandstone	+\$0
WN	warm grey neutral	+\$0
X1	chalk white	+\$0

Resolve® Storage

Pole Shelf *continued*

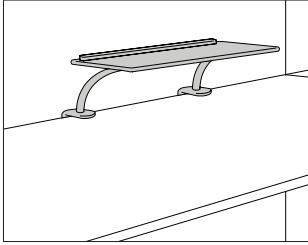
Resolve® Storage

Wood Veneer			
For veneer (W)			
		09	13
2U	light brown walnut	+\$25	30
40	dark brown walnut	+\$25	30
ED	aged cherry A	+\$25	30
EK	medium red walnut	+\$25	30
UL	natural maple A	+\$25	30
UX	walnut on cherry	+\$25	30

Step 5. Bracket Finish				
		L	T	W
8Q	folkstone grey	+\$0	0	0
LU	soft white	+\$0	0	0
CN	metallic champagne	+\$0	0	10
EH	metallic bronze	+\$0	0	10
MS	metallic silver	+\$0	0	10

Bookshelf

G7314.



Product Information

Description

This shelf attaches to the back edge of a work surface and holds binders, books, files, small electronics, and personal items. It is available in 2 sizes: the 18"-wide shelf holds up to 54 pounds; the 30"-wide shelf holds up to 90 pounds. Each shelf has a raised back edge to prevent items from sliding off the back. The shelf has a laminate, formcoat®, or veneer surface finish. Attachment hardware adjusts to fit surfaces 3/4" to 1 1/4" thick. Attachment hardware requires at least 1 1/2" of clearance behind the back edge of the surface.

The formcoat finish is available as opaque or fleck. The opaque finish is nontransparent and has a solid-color appearance; the fleck finish is a nontransparent solid color with tiny flecks. The veneer shelf has a 1/2"-thick, 9-ply Baltic birch core and edge.

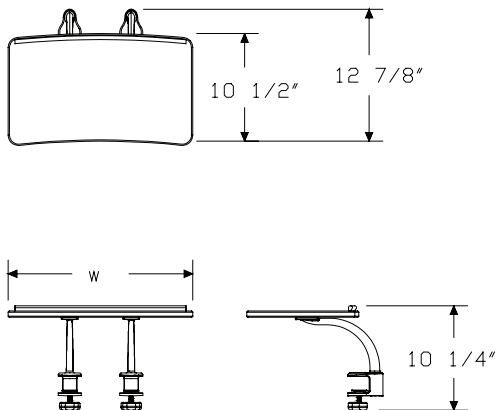
Back edge colors are predetermined:

- Laminate shelves have a folkstone grey (8Q) edge, except for WL. Sandstone laminate (WL) has a sandstone (WL) edge.
- Opaque formcoat shelves have a folkstone grey (8Q) edge, except for WL. Sandstone opaque formcoat (WL) has a sandstone (WL) edge.
- Fleck formcoat shelves have a sandstone (WL) edge.
- Veneer shelves have a sandstone (WL) edge.

Notes

Order bookshelf dividers (G7332.) separately; dividers can only be used on formcoat bookshelves (G7314.T).

Dimensions



Specification Information

Step 1.

G7314.

Step 2. Width

18	18" wide
30	30" wide

Step 3. Surface Material

L	laminate
T	formcoat®
W	veneer

Prices for Steps 1-3.

	L	T	W
G7314. 18	\$209	221	330
30	\$243	258	382

Step 4. Shelf Finish

Solid-Color Laminate

For laminate (L)

8Q	folkstone grey	+\$0
91	white	+\$0
CL	cool grey neutral	+\$0
LU	soft white	+\$0
WL	sandstone	+\$0
WN	warm grey neutral	+\$0
X1	chalk white	+\$0

Opaque Formcoat®

For formcoat® (T)

8Q	folkstone grey	+\$0
91	white	+\$0
CL	cool grey neutral	+\$0
LU	soft white	+\$0
WL	sandstone	+\$0
WN	warm grey neutral	+\$0
X1	chalk white	+\$0

Resolve® Storage

Wood Veneer
 For veneer (W)

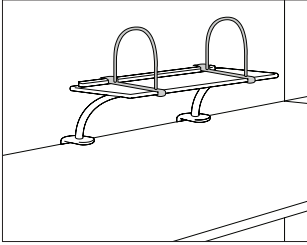
		18	30
2U	light brown walnut <input type="checkbox"/> A	+\$25	30
40	dark brown walnut <input type="checkbox"/> A	+\$25	30
ED	aged cherry <input type="checkbox"/> A	+\$25	30
EK	medium red walnut <input type="checkbox"/> A	+\$25	30
UL	natural maple <input type="checkbox"/> A	+\$25	30
UX	walnut on cherry <input type="checkbox"/> A	+\$25	30

Step 5. Bracket Finish

		L	T	W
8Q	folkstone grey	+\$0	0	0
LU	soft white	+\$0	0	0
CN	metallic champagne	+\$0	0	10
EH	metallic bronze	+\$0	0	10
MS	metallic silver	+\$0	0	10

Bookshelf Divider

G7332.



Product Information

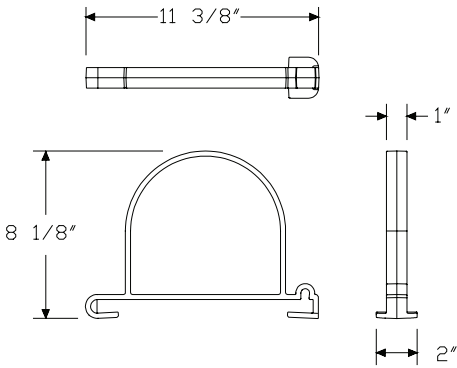
Description

This divider fits on a formcoat® bookshelf and secures binders, books, and other items. Package contains 2.

Notes

Dividers cannot be used on laminate version of bookshelf; use on formcoat version only (G7314.T).

Dimensions



Specification Information

Step 1.

G7332. \$25

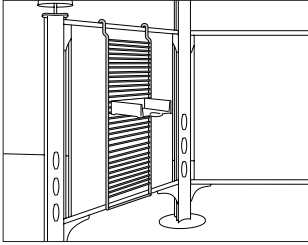
Step 2. Finish

3G	brownstone	+\$0
8Q	folkstone grey	+\$0
91	white	+\$0
CL	cool grey neutral	+\$0
LU	soft white	+\$0
WL	sandstone	+\$0
WN	warm grey neutral	+\$0

Resolve® Storage

Tool Rail

R3610.



Product Information

Description

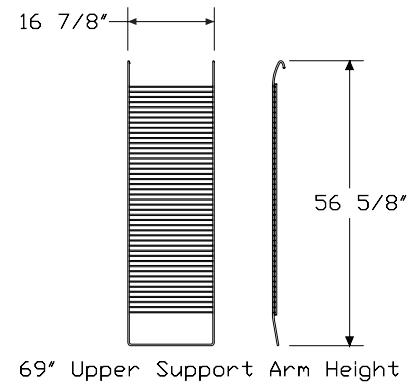
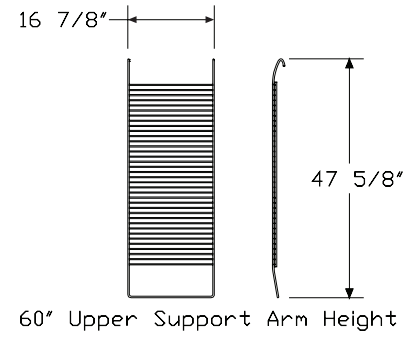
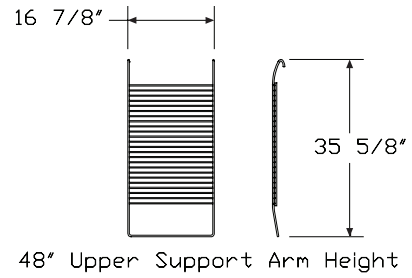
This tool rail hangs from an upper support arm and rests against the lower support arm. It holds work tools.

Notes

Specify height of tool rail to match height of upper support arm.
Tool rails cannot be located back to back; units must be horizontally offset by 1".

Resolve® Storage

Dimensions



Specification Information

Step 1.

R3610.

Step 2. Upper Support Arm Height

48 48" upper support arm height

60 60" upper support arm height

Prices for Steps 1-2.

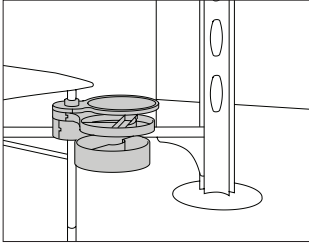
R3610. 48	\$179
60	\$249

Step 3. Finish

8Q folkstone grey	+\$0
LU soft white	+\$0
CN metallic champagne	+\$15
EH metallic bronze	+\$15
MS metallic silver	+\$15

Swivel Tray Set

R3620.



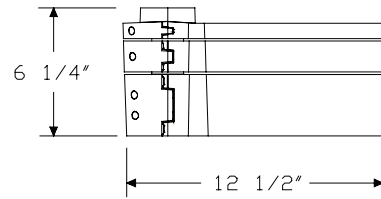
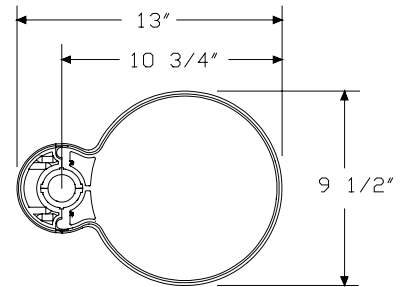
Product Information

Description

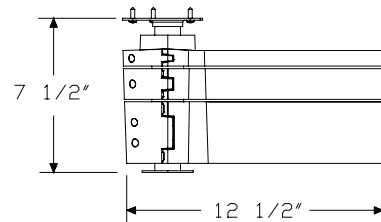
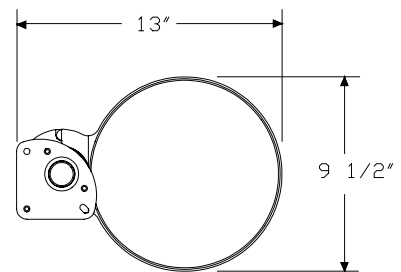
This set of storage components attaches to the leg of an input table or equipment table, or to the underside of a work surface, input table, or equipment table. It includes a 9" diameter café tray, pencil tray, and storage tray. The trays swivel to accommodate various work needs and swivel under the table or work surface for storage. Attachment hardware is included.

Resolve® Storage

Dimensions



Input Table Leg Attachment



Underside of Work Surface or
Input Table Attachment

Swivel Tray Set *continued*

Specification Information

Step 1.

R3620.

Step 2. Attachment

- 1 input table leg attachment
- 2 underside of work surface attachment

Prices for Steps 1-2.

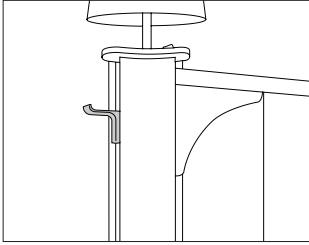
R3620. 1	\$135
2	\$135

Step 3. Finish

3G	brownstone	+\$0
8Q	folkstone grey	+\$0
CL	cool grey neutral	+\$0
LU	soft white	+\$0
WL	sandstone	+\$0
WN	warm grey neutral	+\$0

Coat Hook

R7420.

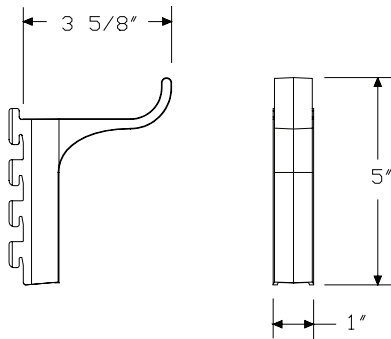


Product Information

Description

This hook attaches to a tall or short pole and holds coats, hats, and umbrellas. Package contains 6.

Dimensions



Specification Information

Step 1.

R7420. \$70

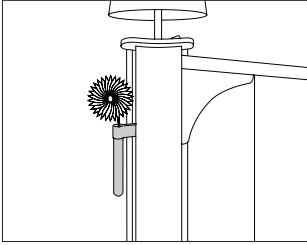
Step 2. Finish

3G	brownstone	+\$0
8Q	folkstone grey	+\$0
CL	cool grey neutral	+\$0
LU	soft white	+\$0
WL	sandstone	+\$0
WN	warm grey neutral	+\$0

Resolve® Storage

Bud Vase

R7421.

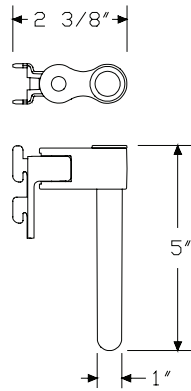


Product Information

Description

This vase attaches to a tall or short pole, bookshelf, or pole shelf. It is clear plastic and is top-shelf dishwasher safe. Package contains 6. Attachment bracket is included.

Dimensions



Specification Information

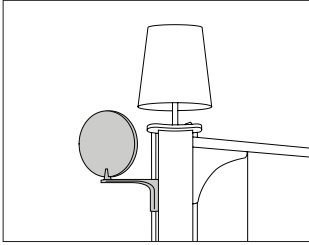
Step 1.

R7421. \$191

Step 2. Bracket Finish

3G	brownstone	+\$0
8Q	folkstone grey	+\$0
CL	cool grey neutral	+\$0
LU	soft white	+\$0
WL	sandstone	+\$0
WN	warm grey neutral	+\$0

Resolve® Display Components



Product Information

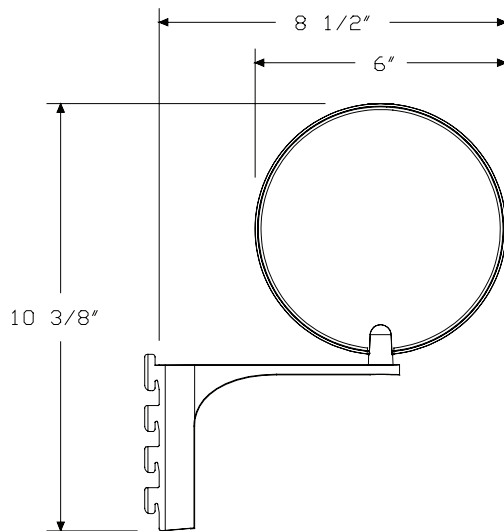
Description

This 6" diameter disk attaches to a tall, short, or in-line pole and provides workstation identification or displays messages on 1 side. Package contains 6 disks and 12 perforated sheets to create your own signage.

Notes

Additional perforated sheets for creating signage are available through Sales Source.

Dimensions



Specification Information

Step 1.

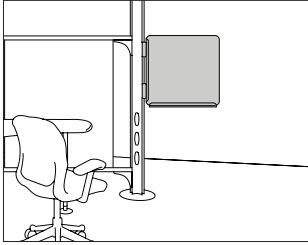
R7422. \$191

Step 2. Finish

3G	brownstone	+\$0
8Q	folkstone grey	+\$0
CL	cool grey neutral	+\$0
LU	soft white	+\$0
WL	sandstone	+\$0
WN	warm grey neutral	+\$0

Marker Board

R7424.



Product Information

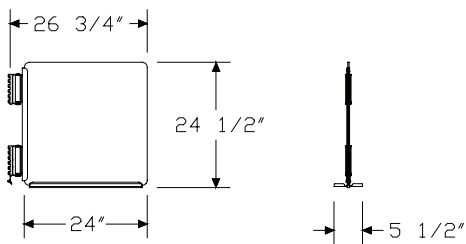
Description

This 24" high x 24" wide double-sided marker board attaches to a tall or short pole. It has a white erasable writing surface and a tray along the bottom of each side for markers and erasers. The marker board swivels for proper positioning.

Notes

Markers and erasers are not included.

Dimensions



Specification Information

Step 1.

R7424.2424 \$402

Step 2. Bracket Finish

8Q	folkstone grey	+\$0
LU	soft white	+\$0
CN	metallic champagne	+\$0
EH	metallic bronze	+\$0
MS	metallic silver	+\$0

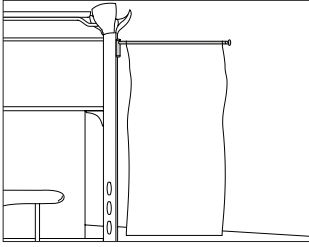
Step 3. Tray/Trim Finish

3G	brownstone	+\$0
8Q	folkstone grey	+\$0
CL	cool grey neutral	+\$0
LU	soft white	+\$0
WL	sandstone	+\$0
WN	warm grey neutral	+\$0

Resolve® Display Components

Flag Arm

R7423.



Product Information

Description

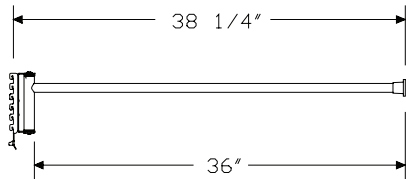
This 1"-diameter arm attaches to a tall pole and holds a flag. Attachment hardware is included.

Notes

Order flag separately:

- Flag (R7100.)

Dimensions



Specification Information

Step 1.

R7423. \$171

Step 2. Arm Finish

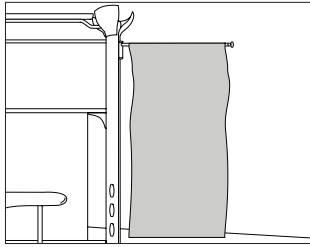
8Q	folkstone grey	+\$0
LU	soft white	+\$0
CN	metallic champagne	+\$0
EH	metallic bronze	+\$0
MS	metallic silver	+\$0

Step 3. Cap Finish

3G	brownstone	+\$0
8Q	folkstone grey	+\$0
CL	cool grey neutral	+\$0
LU	soft white	+\$0
WL	sandstone	+\$0
WN	warm grey neutral	+\$0

Flag

R7100.



Product Information

Description

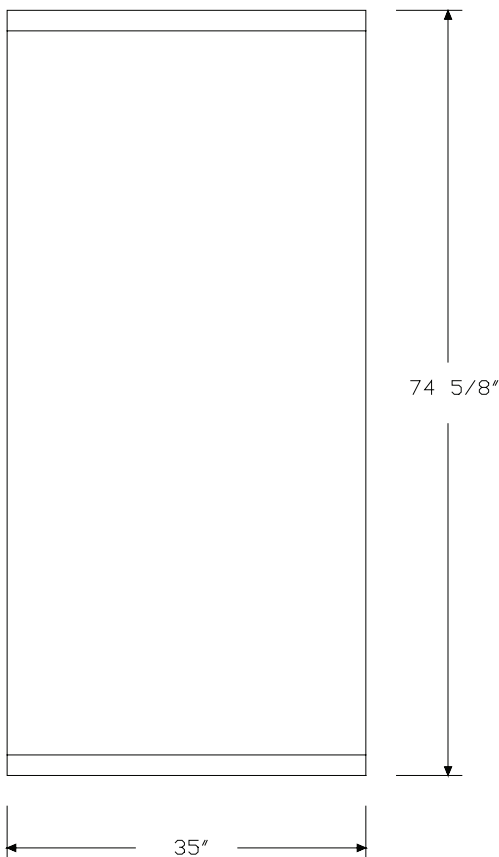
This fabric flag hangs on a flag arm. It is 35" wide × 75" long and includes a weight in the bottom hem. Attachment hardware is included.

Notes

Order flag arm (R7423.) separately.

Flag accepts Customer's Own Material (COM). For nondirectional fabrics, order minimum of 2¼ yards. For information on multiple quantities or directional fabrics, contact COM Department. See Order Information in Appendices.

Dimensions



Specification Information

Step 1.

R7100.3575

\$155

Step 2. Fabric

See application chart and textiles list for fabric usage and numbers.

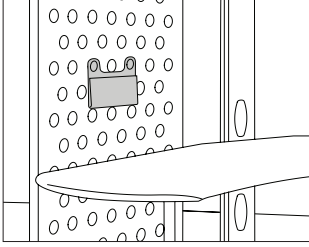
First 2 digits of number indicate fabric line; remaining digit(s) indicate fabric color.

Price Category 1 A

+\$0

Picture Holder

R7410.



Product Information

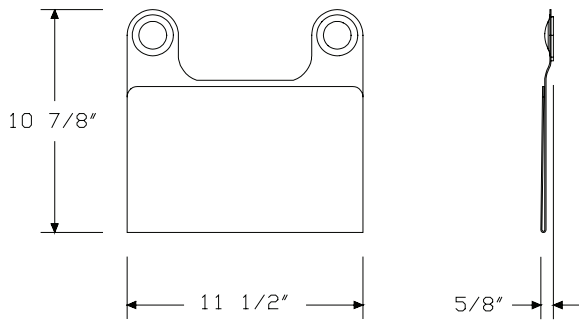
Description

This holder attaches to a display screen. It has 1 sleeve that holds two 5" x 7" pictures or photographs weighing up to 3 pounds. The holder has locators for easy attachment to and removal from the bubbletack™ display screen. Finish is translucent acrylic. Package contains 6.

Notes

Order display screen (R1420.) separately.

Dimensions



Resolve® Display Components

Specification Information

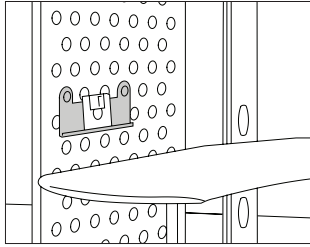
Step 1.

R7410.

\$355

Ledge

R7411.



Product Information

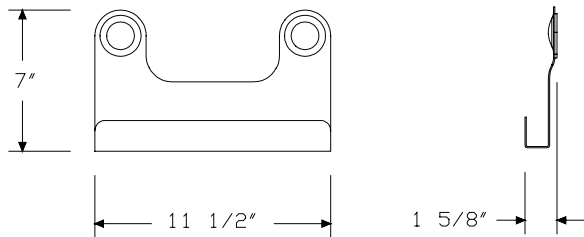
Description

This 1"-deep ledge attaches to a display screen and holds disks, CDs, small note pads, pictures, and other lightweight items weighing up to 3 pounds. It has locators for easy attachment to and removal from the bubbletack™ display screen. The ledge is translucent acrylic. Package contains 6.

Notes

Order display screen (R1420.) separately.

Dimensions



Specification Information

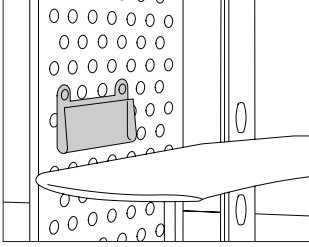
Step 1.

R7411.

\$349

Document Holder

R7412.



Product Information

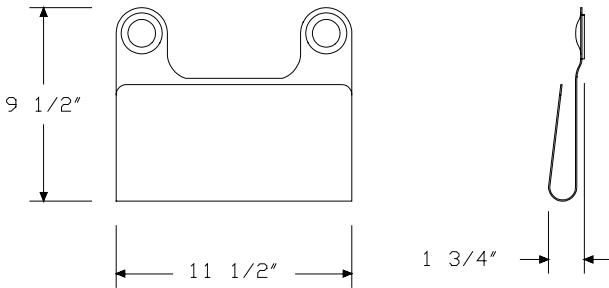
Description

This holder attaches to a display screen and holds lightweight papers and folders weighing up to 3 pounds. It has locators for easy attachment to and removal from the bubbletack™ display screen. The holder is translucent acrylic. Package contains 6.

Notes

Order display screen (R1420.) separately.

Dimensions



Specification Information

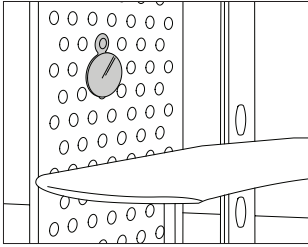
Step 1.

R7412.

\$355

Mirror

R7413.



Product Information

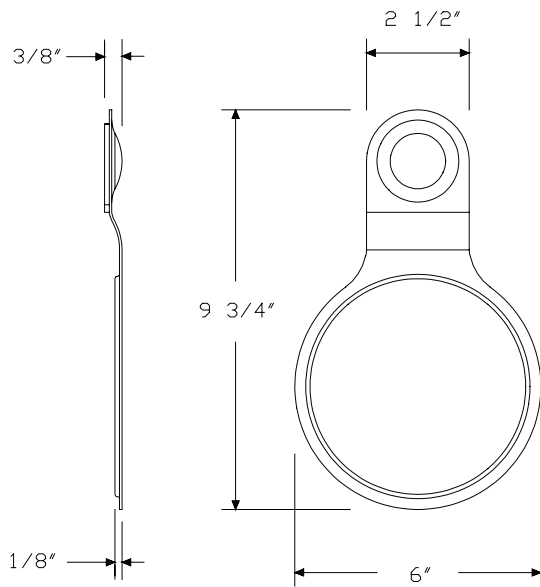
Description

This 6"-diameter mirror attaches to a display screen. It has locators for easy attachment to and removal from the bubbletack™ display screen. Frame is translucent acrylic. Package contains 6.

Notes

Order display screen (R1420.) separately.

Dimensions



Specification Information

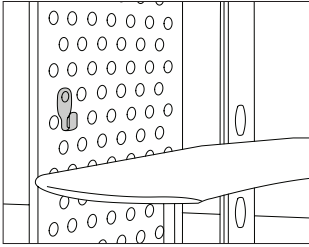
Step 1.

R7413.

\$305

Utility Hook

R7414.



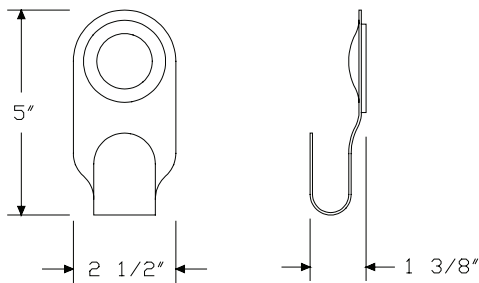
Product Information

Description
This hook attaches to a display screen and holds lightweight items like keys, headphones, or ID tags weighing up to 1 pound. It has 1 locator for easy attachment to and removal from the bubbletack™ display screen. The hook is translucent acrylic. Package contains 6.

Notes

Order display screen (R1420.) separately.

Dimensions



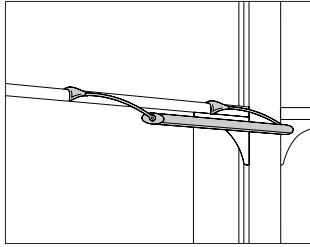
Specification Information

Step 1.
R7414. \$299

Resolve® Display Components

Support Arm Task Light

R6140.
R6141.



Product Information

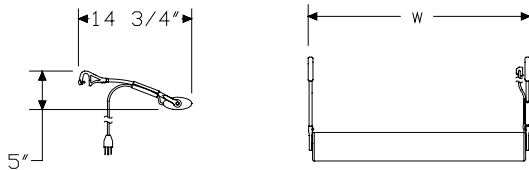
Description

This light mounts on an upper support arm and provides overhead task lighting to 1 side of a boomerang™ work surface. The light has a rapid-start shielded electronic ballast, T5 fluorescent lamp with a 3500° Kelvin color temperature, and 9' cord. The light cord and switch are located on the right side. The lamp has a refractive Holophane™ lens and the lamp's housing tilts from a level position to 45° backward. The 30"-wide light has a 14-watt lamp; the 42"-wide light has a 21-watt lamp. It is UL listed and UL Canada listed. Mounting hardware and 2 cord management clips are included.

Notes

42"-wide lights cannot be used back to back on 48"-long support arm.

Dimensions



Specification Information

Step 1.

R614

Step 2. Code Requirements

- 0.** meets local codes including Canada and New York City
- 1.** meets Chicago codes

Step 3. Width

- 30** 30" wide
- 42** 42" wide

Prices for Steps 1-3.

R6140. 30	\$623
42	\$664

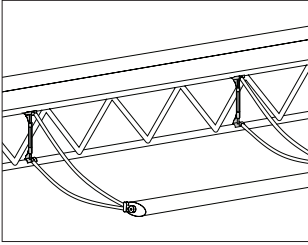
R6141. 30	\$729
42	\$777

Step 4. Finish

8Q	folkstone grey	+\$0
LU	soft white	+\$0
CN	metallic champagne	+\$10
EH	metallic bronze	+\$10
MS	metallic silver	+\$10

Resolve® Lighting

Truss Light Attachment Brackets R6290.



Product Information

Description
This bracket mounts a truss light onto a 96", 108", or 120"-long fixed truss or any length sliding truss. Package includes 1 pair to mount 1 light. Attachment hardware is included.

Notes

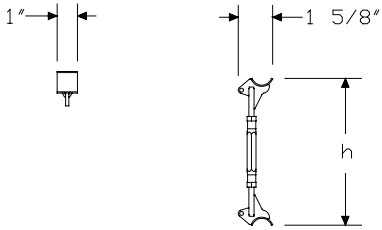
Order truss light (G6210.) separately.

Dimensions

Specification Information

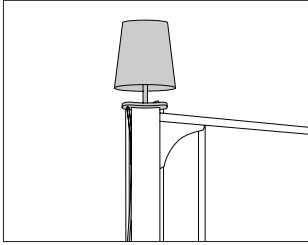
Step 1.
R6290. \$146

Resolve® Lighting



Pole Lamp

R6310.
R6311.



Product Information

Description

This lamp mounts on top of a short pole and provides indirect lighting. It has an energy-efficient 13-watt compact fluorescent lamp with a 3000° Kelvin color temperature. The lamp has an on/off switch in the base, a 9' electrical cord, a 120-volt magnetic ballast with a disconnect plug next to the ballast, and a white lampshade. The lamp replaces the top cap on the short pole. It is UL listed and UL Canada listed. Attachment hardware is included.

Notes

Lamp has a .3-amp draw.

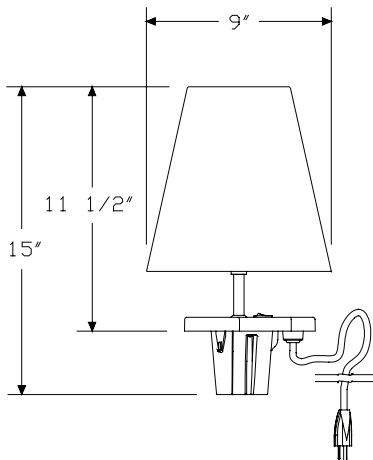
Lamp for Chicago codes (R6311.) has a reset, circuit-breaker plug.

To manage cords down face of short pole, order 1 of the following separately:

- Cable cover (R1361.)
- Cable management clips (R1362.)

When using lamp on nonpowered short pole, order nonpowered power/data channel (R1351.) separately to route cable to adjacent powered pole.

Dimensions



Specification Information

Step 1.

R631

Step 2. Code Requirements

- 0.** meets local codes including New York City
- 1.** meets Chicago codes

Prices for Steps 1-2.

R6310.	\$602
R6311.	\$596

Step 3. Post Finish

8Q	folkstone grey	+\$0
CN	metallic champagne	+\$0
EH	metallic bronze	+\$0
LU	soft white	+\$0
MS	metallic silver	+\$0

Step 4. Top Cap Finish

3G	brownstone	+\$0
8Q	folkstone grey	+\$0
CL	cool grey neutral	+\$0
LU	soft white	+\$0
WL	sandstone	+\$0
WN	warm grey neutral	+\$0

Index by Product Name

Resolve® System	
	page(s)
Acoustical Insert	42
Add-On Ladder Shelf	78
Arm Attachment Bracket, Cabinet	74
Back-to-Back Attachment Bracket, Cabinets	72
Back-to-Back Attachment Brackets, Ladder Shelves	80
Bookshelf	83
Bookshelf Divider	85
Boomerang™ Work Surface	51
Boundary Screen	38
Bud Vase	91
Cabinet, Arm Attached	66
Cabinet Drawer	71
Cabinet File Frame	70
Cabinet, Pole Attached	64
Cabinet Shelf	69
Cable Bag	36
Cable Cover	34
Cable Management Clip	35
Cable Manager	62
Canopy	49
Ceiling Power/Data Entry	15
Ceiling Power/Data Entry, New York City	18
Coat Hook	90
Communication Port Faceplate Extender	37
Controlled Receptacle Decal (12 per sheet)	31
Cord Holder	63
Data Faceplate Housing	33
Display Screen	40
Document Holder	98
Duplex Receptacle	30
Equipment Table	60
Extended Boomerang™ Work Surface	53
Fixed Truss	12
Flag	95
Flag Arm	94
Floor/Wall Power Entry	14
Floor/Wall Power Entry, New York City	17
Freestanding Boomerang™ Work Surface	56
In-Line Pole	9
Input Table	58
Ladder Shelf	76
Ladder Shelf Divider	79
Ledge	97
Marker Board	93
Marker Screen	43
Mirror	99

Nesting Rolling Screen	46
Picture Holder	96
Pole Attachment Bracket, Cabinet	73
Pole Lamp	103
Pole Shelf	81
Power Block	29
Power/Data Channel	22
Power Entry Plate	20
Power Harness, Short Pole	28
Power Harness, Tall Pole	27
Power Jumper Conversion Kit, Fixed Truss	25
Power Jumper Conversion Kit, Power/Data Channel	23
Power Jumper Conversion Kit, Sliding Truss	26
Power Pass-Through Bracket	24
Receptacle Box/Cover	21
Replacement Fabric for Canopy	50
Replacement Fabric for Rolling Screen	48
Rolling Screen	44
Seismic Clip	10
Short Pole	7
Signage	92
Simplex Receptacle	32
Sliding Truss	13
Support Arms	11
Support Arm Task Light	101
Swivel Tray Set	88
Tall Pole	5
Tool Rail	86
Truss Light Attachment Brackets	102
Utility Hook	100
Work Surface Bracket	55

Index by Product Number



G1189. Communication Port Faceplate Extender	page(s) 37	R2650. Freestanding Boomerang™ Work Surface	56
G7314. Bookshelf	83	R2720. Equipment Table	60
G7332. Bookshelf Divider	85	R3211. Cabinet, Pole Attached	64
G9999. Controlled Receptacle Decal (12 per sheet)	31	R3221. Cabinet, Arm Attached	66
R1110. Tall Pole	5	R3222.	
R1120. Short Pole	7	R3230. Cabinet Shelf	69
R1140. In-Line Pole	9	R3231. Cabinet File Frame	70
R1190. Seismic Clip	10	R3232. Cabinet Drawer	71
R1210. Support Arms	11	R3291. Back-to-Back Attachment Bracket, Cabinets	72
R1220. Fixed Truss	12	R3293. Pole Attachment Bracket, Cabinet	73
R1230. Sliding Truss	13	R3294. Arm Attachment Bracket, Cabinet	74
R1311. Duplex Receptacle	30	R3312. Ladder Shelf	76
R1312. Simplex Receptacle	32	R3320. Add-On Ladder Shelf	78
R1313. Receptacle Box/Cover	21	R3390. Ladder Shelf Divider	79
R1320. Floor/Wall Power Entry	14	R3391. Back-to-Back Attachment Brackets, Ladder Shelves	80
R1321. Floor/Wall Power Entry, New York City	17	R3610. Tool Rail	86
R1325. Power Entry Plate	20	R3620. Swivel Tray Set	88
R1331. Ceiling Power/Data Entry, New York City	18	R6140. Support Arm Task Light	101
R1332. Ceiling Power/Data Entry	15	R6141.	
R1341. Power Jumper Conversion Kit, Power/Data Channel	23	R6290. Truss Light Attachment Brackets	102
R1345. Power Jumper Conversion Kit, Fixed Truss	25	R6310. Pole Lamp	103
R1346. Power Jumper Conversion Kit, Sliding Truss	26	R6311.	
R1351. Power/Data Channel	22	R7100. Flag	95
R1352. Power Pass-Through Bracket	24	R7310. Pole Shelf	81
R1360. Data Faceplate Housing	33	R7410. Picture Holder	96
R1361. Cable Cover	34	R7411. Ledge	97
R1362. Cable Management Clip	35	R7412. Document Holder	98
R1364. Cable Manager	62	R7413. Mirror	99
R1365. Cable Bag	36	R7414. Utility Hook	100
R1366. Cord Holder	63	R7420. Coat Hook	90
R1380. Power Harness, Tall Pole	27	R7421. Bud Vase	91
R1381. Power Harness, Short Pole	28	R7422. Signage	92
R1382. Power Block	29	R7423. Flag Arm	94
R1410. Boundary Screen	38	R7424. Marker Board	93
R1412. Acoustical Insert	42		
R1420. Display Screen	40		
R1430. Canopy	49		
R1432. Replacement Fabric for Canopy	50		
R1441. Rolling Screen	44		
R1442. Nesting Rolling Screen	46		
R1444. Replacement Fabric for Rolling Screen	48		
R1450. Marker Screen	43		
R2100. Boomerang™ Work Surface	51		
R2104. Extended Boomerang™ Work Surface	53		
R2105.			
R2190. Work Surface Bracket	55		
R2600. Input Table	58		



20-Day or Less/Assigned Lead-Time Order Information

20-Day or Less and Assigned Lead-Time Programs

20-day or less and assigned lead-time products are designed for established Herman Miller dealers with pre-approved credit.

Products are distributed from multiple manufacturing facilities across the United States. All products and options not designated by an Assigned Lead-Time icon  will ship in 20 business days or less after being acknowledged by Herman Miller. Products and options designated by an  are on the assigned lead-time program and will ship in 20 days, less than 20 days, or more than 20 days from order acknowledgement.

Ordering Procedure

Please place orders through Order Manager. If this is not available to you, place orders through mail or fax. Verbal purchase orders will not be accepted.

Order Entry fax number for Passage®, 5000 Series, and Meridian® Filing and Storage: (616) 846 9236.

Order Entry fax number for all other products:
(616) 654 3085.

For more information, contact your Customer Care representative at:
(866) 854 3048 EXT 3400.

Shipments and Delivery

Per Herman Miller Terms and Conditions.

Changes and Cancellation

Per Herman Miller Terms and Conditions.



Keyed-Alike Information

Keyed-Alike Locks

All components with locks may be specified keyed alike. Products with keyed-alike locks will be shipped with lock chassis installed.

Installation of lock cylinders will be on-site according to instructions provided. Herman Miller, Inc., will not be responsible for lock cylinder installation.

When specifying product keyed-alike, include separate lines on your order for the lock cylinders.

For Action Office®, Ethospace®, Passage®, Quadrant®, Resolve®, and Supplemental products, list cylinder part number and key number (232092-XXX); select a key number (or numbers) between 226 and 427, excluding numbers 408 and 412.

The following products require a different lock cylinder part number. Specify UKY001-XXX for these products only; select a key number (or numbers) between 226 and 427, excluding numbers 408 and 412.

- A3013.
- A3053.
- G5180.
- G5181.
- G5280.

The keys provided in 232092-XXX and UKY001-XXX kits work with either cylinder type, provided the key numbers match.

For Tu® Storage, Canvas Office Landscape®, 5000 Series, and Meridian® Storage, see the following charts.

Keyed-alike locks are field installed.

To order keyed-alike locks for Action Office® Series 1 and 2 door panels, please contact Customer Care.

A master key can be used to open any lock on an attached or freestanding component. In addition, a removal key or lock change tool is required to remove lock plugs. Customers interested in ordering master keys, removal keys, or lock change tools should contact Customer Care.

For Canvas overhead and lower storage units, specify as follows:

Specification Code	Part Number	Color	Lock Series
KA	1B2JK7-XXX ¹	chrome	UM series 226-427

For Meridian Storage, Tu Storage, and 5000 Series desk components with pedestals, specify as follows:

Specification Code	Key Number	Color	Lock Series
KA	232092-XXX ¹	black	UM series 226-427
KA	1B2JK7-XXX ¹	chrome	UM series 226-427

For 5000 Series flipper door unit with bezel or credenza storage cabinet with bezel, specify as follows:

Specification Code	Key Number	Color	Lock Series
KA	232092-XXX ¹	black	UM series 226-427

Key Number:

XXX¹ = a key number between 226 and 427 (excluding 408 and 412)



Vary Easy Program

Program Overview

Vary Easy is a program designed to help dealers specify standard products with a larger breadth of options. For example, depending on the type of product being specified, choices include additional size, finish, edge types, and cable management features. Vary Easy 3D, specIT, and third-party text-based specification packages support the Vary Easy program. Vary Easy 3D enables designers to create a 3D image, CAD symbols, and a price book page. A Vary Easy product number is assigned for each product as the user selects specific options. Once the product is completely specified, the order can be submitted via Kiosk's Order Manager or a dealer's business system.

Accessing and Specifying Vary Easy

To view the full product vocabulary, go to the Vary Easy Product Offering on Kiosk. To specify Vary Easy, go to the Vary Easy 3D website on Kiosk, specIT, or your third-party text-based specification package.

Once you've made your product line selection, continue to follow through each option and enter the specific options that represent the product you need. When the product is fully specified, Vary Easy will generate an orderable product number and instantly calculate a price.

Note: Failure to completely specify a product will cause a delay in order acknowledgements. Be sure to make a selection for all options offered.

The acknowledgement process for Vary Easy products is the same as for any standard order. Vary Easy products ship with a standardized lead time and are competitively priced.

For more information, contact your Customer Care Line at (866) 854 3048 EXT 3400.



Fire Retardancy – Resolve® System

Fire Retardancy for Resolve Products

The products listed below, when covered with the textiles identified below, meet the Class A requirements for flame spread and smoke development as specified by the National Fire Protection Association (NFPA) in the 2009 Life Safety Code No. 101, and the Underwriter's Laboratories requirements for use with energy distribution components (listed by UL under Office Furnishings 1286).

Product	Textile
Boundary Screen	Multiscrim™ DOT® Collection
Display Screen	Bubbletack™

The fabrics listed below, when used on the products identified below, meet the Class A requirements for flame spread and smoke development as specified by the National Fire Protection Association (NFPA) in the 2006 Life Safety Code No. 101.

Product	Textile
Rolling Screen	Multiscrim and Scrim Trim DOT Collection
Canopy	Multiscrim and Scrim?Trim DOT Collection
Flag	Multiscrim DOT Collection



Customer's Own Material Order Information — Resolve® System

Customer's Own Material

Program Overview

The Customer's Own Material (COM) program gives you the option of using textiles other than those listed. Herman Miller will test textiles for application to Herman Miller products and will process orders for those with approved COM textiles only. COM textiles are on assigned lead times.

Omni lists an overview of fabrics that have been tested and indicates whether or not they were approved for application to Herman Miller products.

Specific information on the terms and conditions, testing, approval, and ordering process for COM is listed below. Questions about the COM program and requests for assistance may be directed to your COM representative at:

(616) 654 3400

(866) 854 3048 EXT 6543400

Customer's Own Material Warranty

Herman Miller does not warrant COM textiles. COM textiles are tested for application only; they are not tested for performance. The Herman Miller warranty does apply to the underlying products.

Suppliers of COM textiles are responsible for color consistency within commercial tolerances, UV stability, and resistance to soiling and perspiration.

Customer's Own Material Pricing

COM is a Category 1 fabric. There are no application charges for COM fabrics.

Ordering and payment for COM textile yardage are the responsibility of the customer and the textile supplier.

If desired, Herman Miller will purchase COM textiles directly from True Textiles, C.F. Stinson, Luna Textiles, Maharam, and Momentum Textiles to simplify ordering and shipment. For this service, refer to the Supplier Connection program.

Application Note

Herman Miller does not guarantee that Customer's Own Material (COM) fabric patterns will align across panels/tiles or from one screen to the next. We also do not guarantee that COM fabric designs will be positioned consistently in the same location across several panels, tiles, or screens.

COM Testing Guidelines

Herman Miller uses an automated process to cut the fabric for use on the Resolve Boundary Screens (R1410.). To determine whether COM textiles will withstand this, we must subject them to the cutting process. In addition, since the design of the Resolve Boundary Screen is highly demanding with regard to the physical properties of the fabric used, the COM must pass our fabric qualification tests before it is approved. *Note: Within the Resolve product line, COM may be applied only to the Boundary Screens and flags.*

Test Prioritization, Response Time, and Capacity Limits

- pending orders will receive priority over general submittals for COM approval
- customers are to be notified of test results within 10 business days
- COM testing has a capacity of 10 fabrics per week; if the number of requests exceeds this capacity, lead time for notification of test results may be extended beyond the normal 10 business days

Test Sample Specifications

- sample must be a minimum of 14 yards of **machine rolled** fabric that represents the width and tension the fabric will have when coming directly from the manufacturer
- roll must have as little damage as possible: a damaged roll can increase the likelihood of a fabric not passing the testing process
- “telescoping”— the degree to which the fabric creeps down the roll, creating a telescope look – is not to exceed one half inch
- linear patterns (defined as a fabric that requires alignment across the screen) are not recommended and alignment of the pattern will not be guaranteed

Include with the Sample Roll

- 12-inch memo sample from the fabric supplier
- material content specifications for process safety reasons

Customer's Own Material Order Information — Resolve® System

continued

Fabric Parameters

The following known parameters automatically disqualify COM fabrics from use on Boundary Screens:

- vinyl content
- greater than 20 percent nylon content
- rayon and nylon blends
- greater than 10 percent wool content

Note: When combining standard Herman Miller Boundary Screens with COM Boundary Screens, it is suggested that the COM screens be placed back-to-back with another Resolve screen of the same size. This hides a one-sided fabric or a larger fold near the stitching. This is not necessary when the back of the screen is hidden by architecture or other objects.

Textile Approval

1. Select a COM textile and a Herman Miller product.
2. If your textile is not listed in Omni, obtain a test number from a COM representative at (616) 654 3400 or (866) 854-3048 EXT 6543400. You can also submit your request within Omni. Please have the following information ready before calling: textile name, number, pattern, roll width, and the product you will apply it to.
3. Herman Miller will notify you of approval or disapproval within 10 business days from receipt of the test yardage.

Ordering Products with COM

1. Refer to the specific products to determine the yardage required for COM textiles.
2. If your textile is not listed in Omni, call a COM representative at (616) 654 3400 or (866) 854 3048 EXT 6543400. The representative will assign an identification number for your textile (ID#) and will verify yardage requirements for your order.

Note: Yardage requirements are based on nondirectional, 60"-wide textiles. See the boundary screen product information for yardage requirements for each height. 3 additional yards of textile are required per order when applying COM to boundary screens (required for lead-in material used in application process).

Example: When ordering 20 60"-high boundary screens with COM, order 30 yards COM + 3 additional yards = 33 yards COM for application on 20 boundary screens.

3. Enter your order on Order Manager in Omni.
4. Upon receipt of your purchase order, Herman Miller will send you a PO acknowledgment.
5. Arrangements must be made for the textiles to be shipped from the supplier to Herman Miller for application to the Herman Miller products. Textiles must be tagged with the assigned identification number and the roll yardage quantity. See Omni for shipping procedures and current shipping addresses or contact a COM representative at (616) 654 3400 or (866) 854-3048 EXT 6543400.

Products will be scheduled for production when COM textiles are received at Herman Miller. Standard lead times in effect at that time will apply.

Note: If textiles are to be purchased directly by Herman Miller through the Supplier Connection program, Herman Miller will handle the ordering and shipping process and will schedule your order for production upon receipt of your purchase order (dependent on textile availability). Refer to the Supplier Connection program for more information.

Customer's Own Material Order Information — Resolve® System

continued

Supplier Connection

Program Overview

The Supplier Connection program is a service offered by Herman Miller to purchase approved COM textiles directly from True Textiles, C.F. Stinson, Luna Textiles, Maharam, and Momentum Textiles. When you select a textile through this program, Herman Miller will facilitate the ordering, scheduling, and shipment of the textile directly with the supplier.

Suppliers included in the Supplier Connection program keep an active inventory of textiles that are pre-approved for application to Herman Miller products. Pre-approval applies only to the suitability of a textile for manufacturing and application to a Herman Miller product. Omni lists an overview of fabrics that have been tested and indicates whether or not they were approved for application to Herman Miller products.

Specific information on the terms and conditions, testing, approval, and ordering process for the Supplier Connection program is listed below. Questions and requests for assistance may be directed to your COM representative at:

(616) 654 3400

(866) 854 3048 EXT 6543400

Supplier Connection Warranty

Textiles purchased by Herman Miller through the Supplier Connection program are COM and are not warranted by Herman Miller. COM textiles are tested for application only; they are not tested for performance. The Herman Miller warranty does apply to the underlying products.

Suppliers of COM textiles are responsible for color consistency within commercial tolerances, UV stability, and resistance to soiling and perspiration.

Supplier Connection Pricing

Textiles purchased by Herman Miller through the Supplier Connection program are COM. COM is a Category 1 fabric. There are no application charges for COM fabrics.

Payment for textiles purchased by Herman Miller through the Supplier Connection program is the responsibility of the customer or dealer. Herman Miller will invoice the order at the supplier's prices published at the time of the order.

Textile Approval

1. Refer to Omni to identify the approval status of the textile. If your textile is not listed, contact the COM Department to request testing for application to Herman Miller products.
2. Herman Miller will notify you of approval or disapproval in approximately 10 days from receipt of the test yardage. If the textile is approved, it will be assigned a COM identification number.

Ordering Products with Supplier Connection COM

1. Identify and include the following information on your purchase order:
 - Product number and option
 - Herman Miller's COM identification number
2. Enter your order on Order Manager in Omni.
3. Upon receipt of the purchase order, Herman Miller will process your order and send you a PO acknowledgment. Herman Miller will determine the yardage required to produce your product and will order and schedule for delivery the required textile. Standard lead times in effect at the time the textile is allocated at the supplier will apply to products ordered through this program.



Proprietary Textiles Application Chart — Workspaces

• Available

A Assigned lead-time textile.

See following page for exception notes.

	Action Office® Panels/Connectors	Action Office/Ethospace® B-Style Storage	Action Office B-Style Tackboards	Action Office/Ethospace E-Style Storage	Ethospace Tiles/Connectors	Ethospace Work Surface-Attached Screens	Ethospace/Canvas Office Landscape® Privacy Doors	Exclave® Tackable Boards and Stowage Tackable Backdrop	Exclave Video-Friendly Tackable Boards and Stowage Tackable Backdrop	Canvas Tiles/Extended Width Tiles	Canvas B-/E-Style Storage	Canvas Standing Screen and Team Wall Infill	Canvas Tackboards	Layout Studio® Framed Screen	Locale® Display Tackboard	Locale Freestanding Screen and Workbase Screen	Locale L-Desk/D-Desk Screens	Part™ Screens	Public Office Landscape® Screen/Desk Top Divider	Renew™ Link Screens	Resolve® Boundary Screens/Flags	Resolve Display Screens	Resolve Rolling Screens/Canopies	Thrive® Personal Side Screen	5000 Series Storage and Tackboards	Tu® Wood Storage Cubby Tackboard	Seating	
Price Category 1																												
COM	Customize Own Material A																											
8A__																												
2V__	•	•	•	•	•	•				22	•	•	•	•	•	•	•	•	•	•								
8T__	2	2	2	•	•	•	•	•	8	•	2	•	•	•	•	•	•	•	•	•								
95__	2	2	2	•	•	•	•			•	2	•	•	•	•	•	•	•	•	•								
2I__	•	•	•	•	•	•	•			•	•	•	•	•	•	•	•	•	•	•								
1MN__	2	2	2	•	•	•	•			•	2	•	•	•	•	•	•	•	•	•								
8B__						•															•		•					
5T__	•	•	•	•	•	•	•			•	•	•	•	•	•	•	•	•	•	•								
8C__																							•					
2M__	•	•	•	•	•	•	•			•	•	•	•	•	•	•	•	•	•	•								
22F__	6		•	•	•	•	•			•	•	•	•	•	•	•	•	•	•	•								
Price Category 2																												
3P__		2		•																								
51__	•	•	•	•	•	•	•			•	•	•	•	•	•	•	•	•	•	•								
92__	2	•	•	•	•	•	•	•	8	•	•	•	•	•	•	•	•	•	•	•								
57__	•	•	•	•	•	•	•			•	•	•	•	•	•	•	•	•	•	•								
84__	4			•	•	•	•			•	•	•	•	•	•	•	•	•	•	•								
4N__	2	2	2	•	•	•	•			•	•	•	•	•	•	•	•	•	•	•								
1LM__	2	2	2	•	•	•	•			•	•	•	•	•	•	•	•	•	•	•								
1HA__	2	2	2	•	•	•	•	•	8	•	•	•	•	•	•	•	•	•	•	•								
3A__	2	2	2	•	•	•	•			22	2	•	•	•	•	•	•	•	•	•								
43__										•	•	•	•	•	•	•	•	•	•	•								
8R__	5	2	2	•	•	•	•			•	2	•	•	•	•	•	•	•	•	•								
Price Category 3																												
70__	2	2	2	•		•				•	2	•	•	•	•	•	•	•	•	•								
1FB__	•	•	•	•	•	•	•			•	•	•	•	•	•	•	•	•	•	•								
1FC__	•	•	•	•	•	•	•			•	•	•	•	•	•	•	•	•	•	•								
8Z__	•	•	•	•	•	•	•			•	•	•	•	•	•	•	•	•	•	•								
47__	•	•	•	•	•	•	•	•	8	•	•	•	•	•	•	•	•	•	•	•	14							
5D__	2	2	2	•	•	•	•			•	2	•	•	•	•	•	•	•	•	•	14							
8L__	•	20	•	•	•	•	•			•	•	•	•	•	•	•	•	•	•	•	14							
8U__		2	2	•						•		•	•	•	•	•	•	•	•	•								
8W__	•	•	•	•	•	•	•			•	•	•	•	•	•	•	•	•	•	•								

continued on next page

Proprietary Textiles Application Chart — Workspaces

continued

	Action Office® Panels/Connectors	Action Office/Ethospace® B-Style Storage	Action Office B-Style Tackboards	Action Office/Ethospace E-Style Storage	Ethospace Tiles/Connectors	Ethospace Work Surface-Attached Screens	Ethospace/Canvas Office Landscape® Privacy Doors	Exclave® Tackable Boards and Stowage Tackable Backdrop	Exclave Video-Friendly Tackable Boards and Stowage Tackable Backdrop	Canvas Tiles/Extended Width Tiles	Canvas B-/E-Style Storage	Canvas Standing Screen and Team Wall Infill	Canvas Tackboards	Layout Studio® Framed Screen	Locale® Display Tackboard	Locale Freestanding Screen and Workbase Screen	Locale L-Desk/D-Desk Screens	Pari™ Screens	Public Office Landscape® Screen/Desk Top Divider	Renew™ Link Screens	Resolve® Boundary Screens/Flags	Resolve Display Screens	Resolve Rolling Screens/Canopies	Thrive® Personal Side Screen	5000 Series Storage and Tackboards	Tu® Wood Storage Cubby Tackboard	Seating
Price Category 4																											
2X__ Glisten	•	•	•	•	•		•			•	•	•	•	•	•						•				•	•	
6S__ Quilty	2	2	2	•	•		•			•	2	•	•	•	•										3	•	•
63__ Sironetta	•	•	•	•	•		•			•	•	•	•	•	•	•		•	•					•	3	•	•
Price Category 5																											
No fabrics available at this time.																											
Price Category 6																											
No fabrics available at this time.																											

- 1 Refer to price book appendices and Kiosk for COM information. COM not available on panels.
- 2 Available on all products except 54" and 60" wide.
- 3 Fabric is railroaded for all widths.
- 4 Not available on Action Office (AO) acoustical panels.
- 5 (8R__), (8T__), (85__), and (5S__) not available on AO acoustical panels and not available on 54"- or 60"-wide products.
- 6 Not available on Action Office (AO) connectors, cable management, and spacers.
- 8 Available in select colors. See the "Proprietary Textile Colors — Seating" appendix.
- 14 Not available on Resolve flags.
- 15 Fabric is railroaded for all widths, except on Passage full-height screens.
- 16 Not available on Passage full-height screens. Fabric is railroaded for all widths.
- 18 Available on seating products in select colors. See the "Proprietary Textile Colors — Seating" appendix.
- 19 Not available in Grosgrain (84__) fabric colors 8401, 8405, and 8413.
- 20 Available only on Ethospace B-Style.
- 22 Not available as railroaded application option for Chain and Moire on Canvas extended width tiles.
- 24 Not available on Ethospace cable access tile, cable channel tile, or beltline face tile.

Application Note: Herman Miller cannot guarantee material/pattern alignment in adjacent products. For example, a fabric's pattern may not align from one screen to the next, or from one panel to the next.

Proprietary Textile Colors — Workspaces

Price Category 1

Customer's Own Material
See Order Information in
Appendices.
Assigned lead-time textile. A

Bubbletack™	
100% polyester	
8A01	Seashell White
8A02	Pearl Grey
8A05	Dune Beige
8A07	Pebble Beige
8A09	Olive Green
8A13	Slate Purple
8A19	Spa Blue
8A24	Sable Grey
8A27	Summer White
8A28	Moth Grey
8A29	Tea Leaf Grey
8A30	Blue Grey
8A31	Dusty Bronze
8A32	Slate Blue
8A33	Caramel Beige
8A34	Kiwi Green

Chain	
66" wide	
100% recycled polyester	
2V01	Pearl
2V02	Oyster
2V03	Wheat
2V04	Linen
2V05	Wicker
2V06	Bamboo
2V07	Sage
2V08	Spring Wood
2V09	Iceberg

Crossing	
54" wide	
86% antimony-free polyester	
14% polyester	
8T03	Wicker *
8T04	Porcelain *
8T05	Warm Grey *
8T06	Sepia
8T07	Pumpkin
8T08	Copper

Crossing continued	
8T09	Cranberry
8T10	Tomato
8T11	Mulberry
8T12	Plum
8T13	Green Apple
8T14	Loden
8T15	Spruce
8T16	Periwinkle
8T17	Cerulean
8T18	Indigo
8T19	Shale *
8T20	Brownstone
8T21	Bark
8T22	Tin *
8T23	Graphite
8T24	Black

Crossing	
For systems products only.	
54" wide	
86% antimony-free polyester	
14% polyester	
8501	Ivory *
8502	Oyster *

Gem	
54" wide	
100% antimony-free polyester	
9501	Sesame
9502	Tangerine
9503	Red
9504	Red Violet
9505	Mulberry
9506	Java
9507	Twilight
9508	Bayou
9509	Iris
9510	Berry Blue
9511	Aqua Green
9512	Green Apple
9513	Spruce
9514	Black
9515	Slate Grey
9516	Fog

Grasscloth	
66" wide	
100% recycled polyester	
2I01	Silver Birch
2I02	Pampas
2I03	Sedge
2I07	Lea
2I08	Taro
2I09	Steam Grey
2I10	Cayenne
2I11	Bottle Green
2I12	Surf
2I13	Gravel

Monologue	
54" wide	
56% recycled polyester	
44% polyester	
1MN01	Linen
1MN02	Alabaster
1MN03	Truffle
1MN04	Folkstone
1MN05	Silver Pine
1MN06	Slate
1MN07	Seed
1MN08	Yellow Oxide
1MN09	Persimmon
1MN10	Tundra
1MN11	Meadow
1MN12	Blue Sky
1MN13	Blue Spruce
1MN14	Deep Sea

* Crossing colors available on
Exclave® Video-friendly Tackable
Boards and Stowage Tackable
Backdrop

Multiscrim™	
60" wide	
100% polyester	
8B01	Seashell White
8B02	Pearl Grey
8B05	Dune Beige
8B07	Pebble Beige
8B09	Olive Green
8B15	Slate Purple
8B19	Spa Blue
8B24	Sable Grey
8B27	Summer White
8B28	Moth Grey
8B29	Tea Leaf Grey
8B30	Blue Grey
8B31	Dusty Bronze
8B32	Slate Blue
8B33	Caramel Beige
8B34	Kiwi Green

Price category 1 continued on
next page

Proprietary Textile Colors — Workspaces

continued

Price Category 1

continued

Resonance

66" wide	
100% polyester	
5T04	Greige
5T05	Porcelain
5T06	Alabaster
5T15	Iris
5T28	Sugar
5T47	Tobacco
5T54	Saltbush
5T57	Seed
5T58	Sepia
5T59	Tundra
5T60	Iceberg
5T61	Black
5T62	Chamois
5T63	Citrus
5T64	Tangerine
5T65	Red
5T66	Wild Berry
5T67	Boysenberry
5T68	Pistachio
5T69	Green Apple
5T70	Forest
5T71	Jade
5T72	Blue Green
5T73	Bright Turquoise
5T74	Twilight

Scrim Trim

61" wide	
82% polyester	
18% spandex	
8C01	Seashell White
8C02	Pearl Grey
8C22	Winter Grey
8C24	Sable Grey

Silkworm

66" wide	
58% recycled polyester	
42% polyester	
2M01	Cocoon
2M02	Pongee
2M03	Saffron
2M04	Tussah
2M05	Ceylon
2M06	Jasmine
2M07	Shale
2M08	Monsoon

Slant

66" wide	
51% polyester	
49% recycled polyester	
22F01	Beech Nut
22F02	Chamois
22F03	Chartreuse
22F04	Pesto
22F05	Peacock
22F06	Neptune
22F07	Blueberry
22F08	Boysenberry
22F09	Magenta
22F10	Pumpkin
22F11	Cranberry
22F12	Silver Birch
22F13	Bluestone
22F14	Truffle
22F15	Shale

Price Category 2

ColorGuard

54" wide	
100% vinyl	
3P01	Grey
3P02	Navy
3P03	Spruce ^A
3P08	Blueberry ^A
3P12	Black Plum ^A
3P14	Black
3P19	Slate
3P31	Horizon Blue ^A
3P33	Pumice
3P54	Candy Apple ^A
3P72	Allspice ^A
3P96	Manzanita ^A
3P97	Fudge ^A
3PB2	Sea Grass ^A
3PB5	Vizcaya Palm ^A
3PB9	Neptune ^A
3PC7	Bucksuede ^A
3PD4	Otter ^A

^A Assigned lead-time color.

Cord

66" wide	
51% antimony-free polyester	
49% polyester	
5101	Ivory
5102	White Ash
5103	Linen
5104	Bamboo
5105	Sepia
5106	Wicker
5107	Sesame
5108	Kiwi Green
5109	Bayou
5110	Shade
5111	Spring Wood
5112	Summer White

Crepe

54" wide	
100% recycled polyester	
9201	Licorice
9203	Smoke
9207	Cherry
9209	Claret
9212	Raisin
9218	Aquamarine
9223	Cadet
9241	Beachglass
9243	Midnight
9244	Artichoke
9248	Warm White *
9249	Stone *
9250	Earth
9251	Fog *
9252	Slate Grey
9253	Yellow Dark
9254	Coral
9255	Blush Grey *
9256	Wild Berry
9257	Clover
9258	Caribbean
9259	Cerulean
9260	Brownstone
9261	Shale
9262	Graphite
9263	Tomato
9264	Green Apple

* Crepe colors available on Exclave® Video-friendly Tackable Boards and Stowage Tackable Backdrop

Price category 2 continued on next page

Proprietary Textile Colors — Workspaces

continued

Price Category 2

continued

Frost	
66" wide	
100% recycled polyester	
5701	Bisque
5702	Abalone
5703	Porcelain
5704	Honey
5705	Iceberg
5706	Sage
5707	Reed
5708	Steam Grey
5709	Gunmetal
5710	Sable Grey

Grosgrain	
66" wide	
100% recycled polyester	
8401	Pearl *
8402	White Ash
8403	Warm Grey
8404	Khaki
8405	Oyster *
8406	Celadon
8407	Chamois
8408	Spa Blue
8409	Bud
8410	Kiwi Green
8411	Bayou
8412	Tin
8413	Iceberg *

* Grosgrain colors not available on Canvas Dock Mounted Screens, Locale® Workbase Screen, Public Office Landscape® Screen/Desk Top Divider, and Thrive® Personal Side Screen.

Horizon	
54" wide	
65% antimony-free polyester	
35% polyester	
4N01	Rye Grass
4N02	Sugar Pine
4N03	Silver Pine
4N04	White Ash
4N05	Spring Wood
4N06	Tamarack
4N07	Mushroom
4N08	Haystack
4N09	Oat Grass
4N10	Forest Moss
4N11	Hickory
4N12	Beech Nut
4N13	Pine Cone
4N14	Poplar
4N15	Elderberry

Loom	
54" wide	
100% polyester	
1LM01	Linen
1LM02	Brown Sugar and Spice
1LM03	Brick and Mortar
1LM04	Salt and Pepper
1LM05	Black
1LM06	Lemongrass
1LM07	Poppy
1LM08	Wild Berry
1LM09	Loden
1LM10	Jade
1LM11	Deep Sea

Medley	
54" wide	
100% polyester	
1HA01	Stone *
1HA02	Trail
1HA03	Charcoal
1HA04	Cinder
1HA05	Citrus
1HA06	Papaya
1HA07	Chutney
1HA08	Tundra
1HA09	Feather Grey *
1HA10	Chartreuse
1HA11	Loden
1HA12	Peacock
1HA13	Bayou *
1HA14	Blue Grotto
1HA15	Blueberry
1HA22	Khaki
1HA23	Pewter
1HA24	Yellow Oxide
1HA25	Vintage Rose
1HA26	Raspberry
1HA27	Acai Berry

* Colors available on Exclave®
Stowage Video-friendly
Tackable Backdrop

Moiré	
54" wide	
100% recycled polyester	
3A01	Concrete
3A02	Biscotti
3A03	Rattan
3A04	Chambray
3A05	Fern
3A08	Violet
3A09	Zin
3A10	Curry
3A11	Spice
3A12	Cork

Tape	
66" wide	
52% polypropylene	
48% recycled polyester	
4301	Pearl
4302	Oyster
4303	Wicker
4304	Reed
4306	Celadon
4307	Alabaster
4308	Bamboo
4309	Feather Grey
4310	Iceberg

Twist	
54" wide	
80% antimony-free polyester	
13% recycled polyester	
7% polyester	
8R05	Wicker
8R10	Poppy
8R14	Tin
8R15	Shale
8R16	Graphite
8R17	Birch
8R18	Sepia
8R22	Blueberry
8R23	Green Apple
8R26	Gunmetal
8R27	Cinder
8R28	Citrus
8R29	Pekoe
8R30	Tangerine
8R31	Red Plum
8R32	Wisteria
8R33	Forest
8R34	Jade Dark
8R35	Waterfall
8R36	Midnight Blue
8R37	Carbon Dark

Price category 2 continued on next page

Proprietary Textile Colors — Workspaces

continued

Price Category 2

continued

Twist	
For systems products only.	
54" wide	
80% antimony-free polyester	
13% recycled polyester	
7% polyester	
5S01	Pearl
5S02	Ivory
5S03	Oyster

Price Category 3

Bento	
54" wide	
100% antimony-free polyester	
7001	Frost
7002	Linen
7003	Khaki
7004	Truffle
7005	Grey Black
7006	Pumpkin
7007	Cranberry
7008	Everglade
7009	Cobalt

Connection	
66" wide	
100% antimony-free polyester	
1FB1	Oyster
1FB2	Linen
1FB3	Iceberg
1FB4	Silver Pine
1FB5	Apricot
1FB6	Cumin
1FB7	Green Apple
1FB8	Slate Blue
1FB9	Metal

Current	
66" wide	
100% antimony-free polyester	
1FC1	Oyster
1FC2	Linen
1FC3	Iceberg
1FC4	Silver Pine
1FC5	Apricot
1FC6	Cumin
1FC7	Green Apple
1FC8	Slate Blue
1FC9	Metal

Glaze	
66" wide	
100% recycled polyester	
8Z01	Wicker
8Z02	Honey
8Z03	Porcelain
8Z04	Celadon
8Z05	Spearmint
8Z06	Rye
8Z07	Frost
8Z08	Silver Birch

Ground Cloth®	
66" wide	
100% polyester	
4701	Vapor Grey
4721	Warm White *
4722	Fog *
4723	Straw *
4724	Red Orange *
4725	Wild Berry *
4726	Green Apple *
4727	Caribbean *
4728	Midnight *
4729	Cappuccino *

* Colors available on Exclave®
Video-friendly Tackable
Boards and Stowage Tackable
Backdrop

Kira 2	
54" wide	
100% recycled polyester	
5D11	Flaxen
5D12	Papyrus
5D13	Oasis
5D14	Incense
5D15	Ash
5D16	Falcon

Savannah	
66" wide	
76% recycled polyester	
24% polypropylene	
8L01	Pearl
8L02	Oyster
8L03	Wheat
8L04	Jute
8L05	Bamboo
8L06	Metal
8L07	Linen
8L08	Celadon
8L09	Moss
8L10	Frost
8L11	Shale
8L12	Pewter

Stitches	
54" wide	
54% polyester	
46% recycled polyester	
8U02	Rye
8U03	Khaki
8U04	Honey
8U05	Cattail
8U08	Cool Grey
8U09	Slate Blue
8U11	Evening Blue
8U12	Charcoal
8U13	Kiwi Green
8U16	Cocoa
8U17	Seed

Stitches	
For systems products only.	
54" wide	
54% polyester	
46% recycled polyester	
5Z01	White Ash

Price category 3 continued on next page

Proprietary Textile Colors — Workspaces

continued

Price Category 3

continued

Strands	
66" wide	
100% recycled polyester	
8W01	Pebble
8W02	Porcelain
8W03	Taupe
8W04	Honey
8W05	Khaki
8W06	Rye
8W07	Wicker
8W08	Tin
8W09	Cool Grey

Price Category 4

Glisten	
66" wide	
84% polyester	
16% recycled polyester	
2X02	Rye
2X05	Iceberg
2X07	Celadon
2X09	Pewter
2X10	Ash

Quilty	
56" wide	
100% antimony-free polyester	
GreenShield	
6S03	Khaki
6S04	Straw
6S07	Brick
6S10	Mink
6S11	Green Apple
6S13	Indigo
6S14	Zinc
6S15	Slate
6S16	Beachwood
6S17	Paprika
6S18	Plum
6S19	Juniper
6S20	Grey Black

Sironetta	
66" wide	
100% recycled polyester	
6301	Acapella
6302	Sonata
6303	Interlude
6304	Legato
6308	Harmony
6309	Ensemble

Price Category 5-6

No fabrics available at this time.



Design on Textile (DOT) and Customer's Own Image (COI) Order Information

Design on Textile and Customer's Own Image

Program Overview

The Design on Textile (DOT) program gives you the option of selecting unique images from various designers and having the images digitally printed on a textile, or creating new designs through Customer's Own Image (COI). The program is available for Resolve® components only: boundary screens, rolling screens, canopies, and flags. Herman Miller will process orders only for images within the DOT Collection.

A complete documentation of the collection images and examples of COI design applications is available through your Herman Miller dealer or salesperson, the DOT brochure, HermanMiller.com, or Kiosk. The DOT Collection in the appendices has a list of images, their order numbers, and specification notes.

Specific information on the terms and conditions, warranties, and order processes for DOT is listed below.

Textile

The textile is 100% polyester. The base fabric color is white. Canopy and rolling screen products have a pearl grey (8C02) edge banding. Images are not applied to Resolve standard-colored fabrics.

Warranty

Herman Miller warrants the base textile for a period of one year. DOT textiles are not warranted for color consistency. Consistency will be maintained within commercial tolerance, UV stability, and resistance to soiling.

Visual color range is determined by multiple factors including lighting, application process, and image files.

Application Note

Herman Miller does not guarantee that images will be positioned the same across multiple screens, canopies, or flags. We also do not guarantee that patterns will align from one boundary screen to the next.

Material Pricing

DOT is a Category 1 fabric. COI has an upcharge. Pricing of DOT Resolve products and COI upcharges are listed with each product.

Customer's Own Images (COI)

For COI information, contact the Herman Miller COM Department at (866) 854 3048 EXT 6543400. COI design specifications and ordering information can be found on HermanMiller.com or Kiosk. Orders are processed through Vary Easy. See Vary Easy Program in Appendices.



Design on Textile (DOT) Collection

Price Category 1

Boundary Screen DOT - Nature Collection	
100% polyester	
9GA1	Field Caramel
9GA2	Field Kiwi
9GA3	Field Blue
9GA4	Field Bronze
9GAY	Field Warm
9GAZ	Field Cool
9GA0	Water Blue
9GA5	Water Warm
9GA6	Water Cool
9GA7	Water Caramel
9GA8	Water Olive
9GA9	Water Spa
9GAA	Shadow Warm
9GAB	Shadow Cool
9GAC	Shadow Caramel
9GAD	Shadow Kiwi
9GAE	Shadow Spa
9GAF	Shadow Blue
9GAG	Shadow Purple
9GAH	Stems Warm
9GAJ	Stems Cool
9GAK	Stems Olive
9GAL	Stems Spa
9GAM	Stems Blue
9GAN	Sea Plant White
9GAP	Sea Plant Warm
9GAR	Sea Plant Cool
9GAS	Sea Plant Caramel
9GAT	Sea Plant Olive
9GAU	Sea Plant Spa
9GAV	Sea Plant Blue
9GAW	Sea Plant Purple
9GAX	Sea Plant Bronze

9GB1	Branch Warm Left
9GB2	Branch Warm Right
9GB3	Branch Cool Left
9GB4	Branch Cool Right
9GB5	Branch Kiwi Left
9GB6	Branch Kiwi Right
9GB7	Branch Spa Left
9GB8	Branch Spa Right
9GBA	Strawflower Warm
9GBB	Strawflower Cool
9GBC	Seascape Warm Left
9GBD	Seascape Warm Right
9GBE	Seascape Cool Left
9GBF	Seascape Cool Right
9GBG	Fossil Warm
9GBH	Fossil Cool
9GBJ	Fossil Caramel
9GBK	Fossil Kiwi
9GBL	Fossil Spa
9GBM	Fossil Blue
9GBN	Fossil Bronze
9GBP	Canal Warm Left
9GBR	Canal Warm Right
9GBS	Canal Cool Left
9GBT	Canal Cool Right
9GBU	Canal Blue Left
9GBV	Canal Blue Right
9GBW	Trees Warm Left
9GBX	Trees Warm Right
9GBY	Trees Cool Left
9GBZ	Trees Cool Right

Boundary Screen DOT	
100% polyester	
9GB0	Girard International Love Heart
9GB9	Girard Daisy Face
9GCA	Girard Old Sun
9GCB	Girard Palace
9GCC	Girard Black & White
9GDA	Ocean Series A
9GDB	Ocean Series B
9GDC	Ocean Series C
9GDD	Ocean Series D
9GDE	Ocean Series E
9GDF	Waterlines Series F
9GDG	Waterlines Series G
9GDH	Waterlines Series H
9GDJ	Reflections Series J
9GDK	Reflections Series K
9GDM	Reflections Series M
9GDP	Reflections Series P
9GE1	Orange Series 1
9GE2	Orange Series 2
9GE3	Orange Series 3
9GEA	Waffle Series A
9GEB	Waffle Series B
9GEC	Waffle Series C
9GH1	Red Sherbet 1
9GH2	Green Sherbet 2
9GH3	Blue Sherbet 3
9GHA	Green Swirl A
9GHB	Red Swirl B
9GHC	Blue Swirl C
9GHD	Suds D
9GHE	Hexagons E
9GHF	Seedburst F
9GHG	Pond View G
9GHH	Refractions H

9GHJ	Fronds J
9GHK	Dandelion K
9GHM	Pods M
9GHR	Workday 1 R
9GHS	Workday 2 S
9GHT	Workday 3 T
9GHU	Tulips U
9GHV	E-Smile V
9GHW	Brackets W
9GHX	Asterisk X
9GHZ	Address Z
9GJ1	Mosaic Series 1
9GJ2	Mosaic Series 2
9GJ3	Mosaic Series 3
9GJ4	Mosaic Series 4
9GJ5	Mosaic Series 5
9GJ6	Mosaic Series 6
9GJ7	Mosaic Series 7
9GJA	Dunes Series A
9GJB	Dunes Series B
9GJC	Dunes Series C
9GJD	Dunes Series D
9GJE	Dunes Series E
9GJF	Dunes Series F
9GJG	Dunes Series G
9GJH	Dunes Series H
9GJJ	Dunes Series J
9GJK	Dunes Series K
9GJM	Dunes Series M
9GM1	Peering Series 1
9GM2	Peering Series 2
9GM3	Peering Series 3
9GMA	Hatch Series A
9GMB	Hatch Series B
9GMC	Hatch Series C
9GMD	Hatch Series D
9GME	Hatch Series E
9GMF	Hatch Series F
9GMG	Hatch Series G
9GMH	Hatch Series H
9GMJ	Hatch Series J
9GMK	Hatch Series K

Design on Textile (DOT) Collection

continued

Price Category 1

continued

Canopy DOT	
100% polyester	
9JDA	Waterlines Series A
9JDB	Reflections Series B
9JE1	Orange Series 1
9JEA	Waffle Series A
9JEB	Waffle Series B
9JH1	Day Sky 1
9JH2	Petals 2
9JH3	Green Sherbet 3
9JH4	Blue Sherbet 4
9JH5	Red Sherbet 5
9JJ1	Mosaic Series 1
9JJ2	Mosaic Series 2
9JJ3	Mosaic Series 3
9JJA	Dunes Series A
9JM1	Peering Series 1
9JMA	Hatch Series A
9JMB	Hatch Series B

Flag DOT	
100% polyester	
9KB0	Girard International Love Heart
9KB9	Girard Daisy Face
9KCA	Girard Old Sun
9KCB	Girard Palace
9KCC	Girard Black & White
9KDA	Waterlines Series A
9KDB	Reflections Series B
9KE1	Orange Series 1
9KE2	Orange Series 2
9KEA	Waffle Series A
9KH1	N-Scape 1
9KH2	S-Scape 2
9KH3	E-Scape 3
9KH4	W-Scape 4
9KJ1	Mosaic Series 1
9KJ2	Mosaic Series 2
9KJA	Dunes Series A
9KM1	Peering Series 1
9KMA	Hatch Series A
9KMB	Hatch Series B

Rolling Screen DOT	
100% polyester	
9HDA	Reflections Series A
9HDB	Waterlines Series B
9HE1	Orange Series 1
9HE2	Orange Series 2
9HEA	Waffle Series A
9HEB	Waffle Series B
9HH1	Blue Sherbet 1
9HH2	Green Sherbet 2
9HH3	Red Sherbet 3
9HJ1	Mosaic Series 1
9HJ2	Mosaic Series 2
9HJA	Dunes Series A
9HM1	Peering Series 1
9HMA	Hatch Series A
9HMB	Hatch Series B

Notes regarding DOT images:

- To view DOT images and cropping guides, see the DOT brochure or HermanMiller.com.
- 69" x 60" screens will display the full DOT image. Smaller screens, canopies, and flags will display a percentage of the full image based on the size chosen. The cropped versions retain the essence of the full image for most applications, but images should be reviewed in their specified size to assure customers are satisfied.
- All images are cropped from the center/bottom except those noted:
 - 9GHR, 9GHS, and 9GHT have the bottom gray ban removed and are cropped from the center/top.
 - 9GMH is cropped from the center/top.
 - 9GJG is cropped from the upper/left.
 - 9GJH is cropped from the lower/left.
 - 9GJK is cropped from the lower/right.
 - 9GJM is cropped from the upper/right.
- DOT name and images are protected under trademark and copyright laws.
- Copyright in the artwork presented is owned by Herman Miller, Inc., and/or the artist/photographer or other copyright owner. All rights reserved.

For more information about our products and services or to see a list of dealers, please visit us at HermanMiller.com or call (800) 851 1196.

© 2018 Herman Miller, Inc., Zeeland, Michigan

® **HermanMiller**, ●, Action Office, Aeron, Aside, Avive, Canvas Office Landscape, Caper, Celle, Co/Struc, Eames, Embody, Equa 2, Ergon 3, Ethospace, Exclave, Fine-Tune, FlexFront, Formcoat, Ground Cloth, Herman Miller Healthcare, Layout Studio, Maharam, Meridian, Mirra, Passage, Pellicle, Perspectives, PostureFit, Resolve, Sayl, Setu, Thrive, Tu, Y-Tower, and Z-Axis are among the registered trademarks of Herman Miller, Inc., and its owned subsidiaries.

™ AireWeave, Bubbletack, Cellular Suspension, Compass, Connect, DOT, Durawrap, Everywhere, Flex-Edge, Hopsak 2, Intent, Iota, Keyless Entry, Latitude, Lyris 2, Motia, Multiscrim, Nelson, Renew, Stackable, Swoop, TriFlex, Twist, and Verus are among the trademarks of Herman Miller, Inc., and its owned subsidiaries.

®Chemsurf® is a registered trademark of Wilsonart International.

Corian® is a registered trademark of E.I. du Pont de Nemours and Company Corporation.

FLEXNET™ is a trademark of Milliken & Company.

Floor Saver Glide® is a registered trademark of Carpin Manufacturing, Inc.

Geiger® is a registered trademark of Geiger International.

Microsoft® and Natural® Keyboard are registered trademarks of Microsoft Corporation.

Place Textiles® is a registered trademark of Place Textiles.